



Laminar Flow LFGI (CAI or CACI) User Manual



© GERMFREE
4 Sunshine Blvd.
Ormond Beach, FL 32174
800-888-5357 Phone
386-677-1114 Fax

Info@Germfree.com
www.Germfree.com

Table of Contents

<u>PREFACE</u>	6
SAFETY, OPERATION AND ADDITIONAL PROFESSIONAL TRAINING	6
GERMFREE, THE LFGI AND USP <797>	7
<u>INTRODUCTION</u>	8
PRODUCT PROTECTION	8
PERSONNEL PROTECTION	9
PARTICULATES AND GASES/ VAPORS	10
<u>THEORY</u>	11
HEPA FILTRATION	11
UNIDIRECTIONAL (LAMINAR) AIR FLOW	12
PRESSURIZATION	12
CONTAINMENT	13
<u>UNPACKING INSTRUCTIONS</u>	14
<u>INSTALLATION</u>	15
<u>ELECTRICAL REQUIREMENTS</u>	17
<u>CERTIFICATION</u>	17
<u>PARTS IDENTIFIER</u>	18
FRONT OF LFGI	18
INSIDE THE WORK AREA	18
INSIDE THE WORK AREA #2	19
SHARPS AND WASTE	19
BACK OF THE CONTROL PANEL	20
CONTROL PANEL	20
<u>CLEANING</u>	21
OUTSIDE THE LFGI	21
INSIDE THE LFGI	21

<u>OPERATION</u>	21
SAFETY AND ADDITIONAL TRAINING	21
START-UP	22
OPERATION	23
<u>AIRLOCK OPERATION</u>	24
<u>USAGE</u>	25
DO NOT	25
DO	26
PRACTICE PROPER ASEPTIC TECHNIQUE	26
SHARPS	28
WASTE REMOVAL	28
<u>APPENDICES</u>	29
WARRANTY INFORMATION (2 YEAR STANDARD)	29
MAINTENANCE	30
LIGHT BULB REPLACEMENT	32
DUCTING	33
ELECTRONIC ADJUSTING STAND	33
AUTOMATED COMPOUNDERS	34
ALARM	36
PROCEDURE FOR CHANGING GLOVES DURING MAINTENANCE	37
SLEEVE CHANGES	41
GLOVE AND SLEEVE INSPECTIONS	42
CLEANING THE LFGI- HEAVY DUTY (RIGOROUS)	43
OUTSIDE THE LFGI	43
INSIDE THE AIRLOCK	43
INSIDE THE LFGI	45
CLEANING THE LFGI BETWEEN PREPARATIONS- LIGHT	46
CLEANING AGENTS	48
CLEANING TERMS	49
<u>LFGI- USP SPECIFICATION SHEETS</u>	51
<u>CERTIFICATION OF GERMFREE LAMINAR FLOW GLOVEBOX / ISOLATOR</u>	63
PRODUCT OVERVIEW	63
BASIC OPERATION	64
AIRFLOW SET UP	64
SUPPLY VELOCITY	64

ISOLATOR PRESSURE	64
PARTICLE COUNTS	65
FILTER INTEGRITY	65
BACK OF THE CONTROL PANEL	67
REPLACEMENT FILTER SIZES & PART NUMBERS	67
SENSOCON CONTROLLER USER MANUAL	57

Preface

Safety, Operation and Additional Professional Training

The Stainless Steel Laminar Flow Glovebox /Isolator (LFGI) provides a contained environment that allows for greater protection for both personnel and product than traditional open front laminar flow equipment. However, this protection can only be achieved through proper technique. The following is a list of topics that may apply to your operation. Many of these items may require additional professional study and practice beyond the information found in this manual.

1. Operation of the Laminar Flow Glovebox /Isolator
2. Understanding HEPA particulate filtration
3. Proper operator technique
4. Understanding chemical compatibilities for proper glove selection
5. Understanding chemical compatibilities for proper “cleaning” and “sterilization”
6. Understanding chemical compatibilities for proper “decontamination”
7. Understanding sterile product preparation and aseptic technique
8. Understanding hazards associated with the products handled in the Laminar Flow Glovebox /Isolator
9. Understanding proper maintenance and initial and periodic certification
10. Understanding Federal, State and Local applicable professional regulations.

The Laminar Flow Glovebox /Isolator does not automatically provide a clean, sterile and safe working environment. In order for the LFGI to provide the required work environment a professional understanding of the above 10 items along with a complete understanding of the tasks to be performed is essential.

To obtain this information and understanding may require additional professional training. If you need assistance in finding Professional Pharmacy Organizations offering additional training for any of the above items please call Pharmacy Equipment Sales at GERMFREE, 800.888.5357

GERMFREE, the LFGI and USP <797>

GERMFREE has strived to produce a primary engineering control that maintains a clean and microbe free environment through a combination of design elements and recommendations for good practice and technique.

USP <797> does not offer a great deal of guidance on the use of barrier isolators for the compounding of sterile products and has left much to the manufacturer's recommendation. In light of this, GERMFREE will always err on the side of caution when making recommendations on the proper use of the LFGI.

GERMFREE recommends the following regarding the general use of the LFGI in the pharmacy environment:

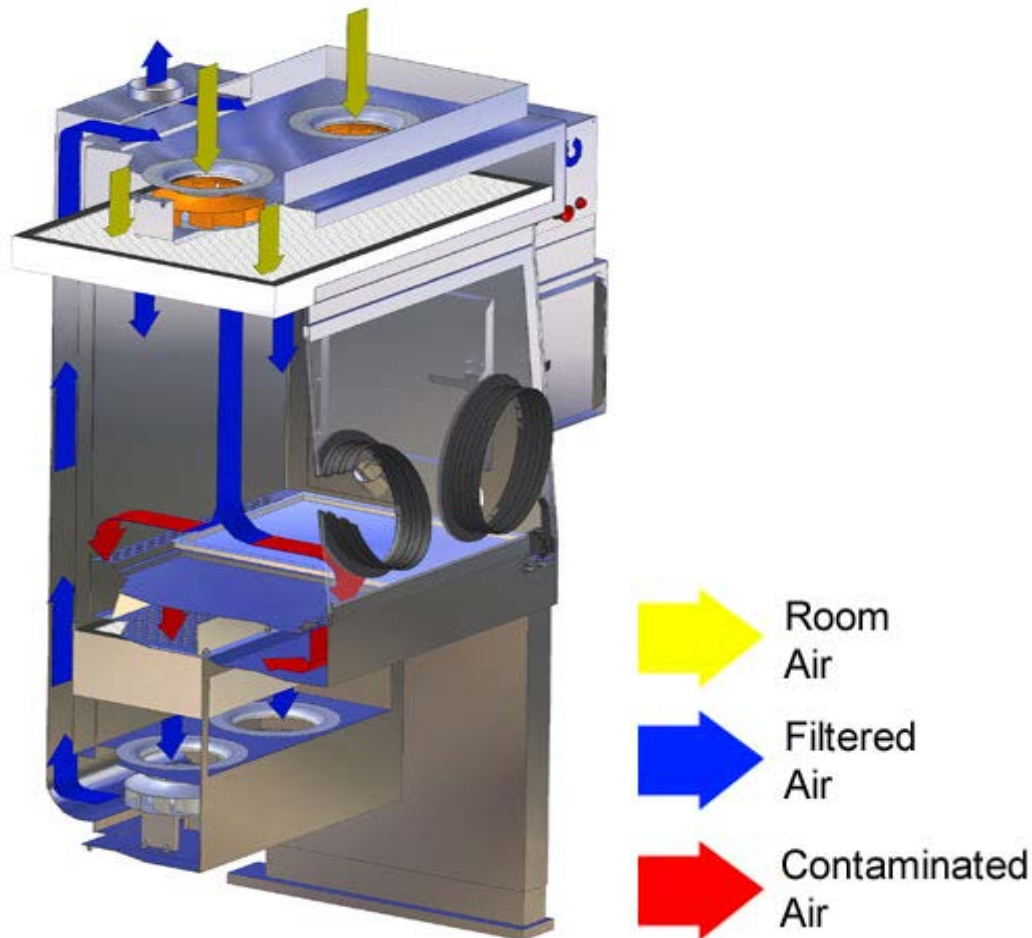
1. The LFGI should be placed in a controlled environment. A room with a window that opens to the out of doors or with high foot traffic is not appropriate for the compounding of sterile products. This is recommended to reduce the overall bioburden in the surrounding area. A classified environment or a room that conforms to a particular particle count is not necessary. The LFGI is designed with a sealed airlock that maintains complete environmental separation between the work area and the ambient room air. This sealed airlock is then purged with HEPA filtered air to equalize or better the cleanliness level of that contained air to the ISO Class 5 condition of the work area.
2. (For CACI Model- Handling Hazardous Drugs) Operators should wear a gown or coat to protect themselves from accidental dermal contact with elements being compounded.
3. Operators should always wear gloves when handling compounding elements before and after they are compounded in the work area. Studies show drug contamination on the outside of vials.
4. Operators should minimize fingernail length and jewelry since they increase the chances for glove puncture / tear.
5. All compounding elements should be wiped down before placement in the airlock to reduce any surface contamination that may be present.
7. Operators should wipe down the exterior of waste or sharps containers that are used inside of the work area prior to removal from the LFGI with alcohol.
8. Current standards of practice should prevail. For example, if you do not compound antibiotics and TPNs concurrently in your Laminar Flow Workstation, do not compound them at the same time in the LFGI.
9. Operators should be made aware that "first air" for the purposes of proper aseptic technique is now located above the work area. This will change how they utilize the work deck space.

Introduction

The Stainless Steel Laminar Flow Glovebox /Isolator is a complete barrier system. It provides sterile laminar flow air for aseptic pharmacy preparations while protecting pharmacy personnel from hazardous materials.

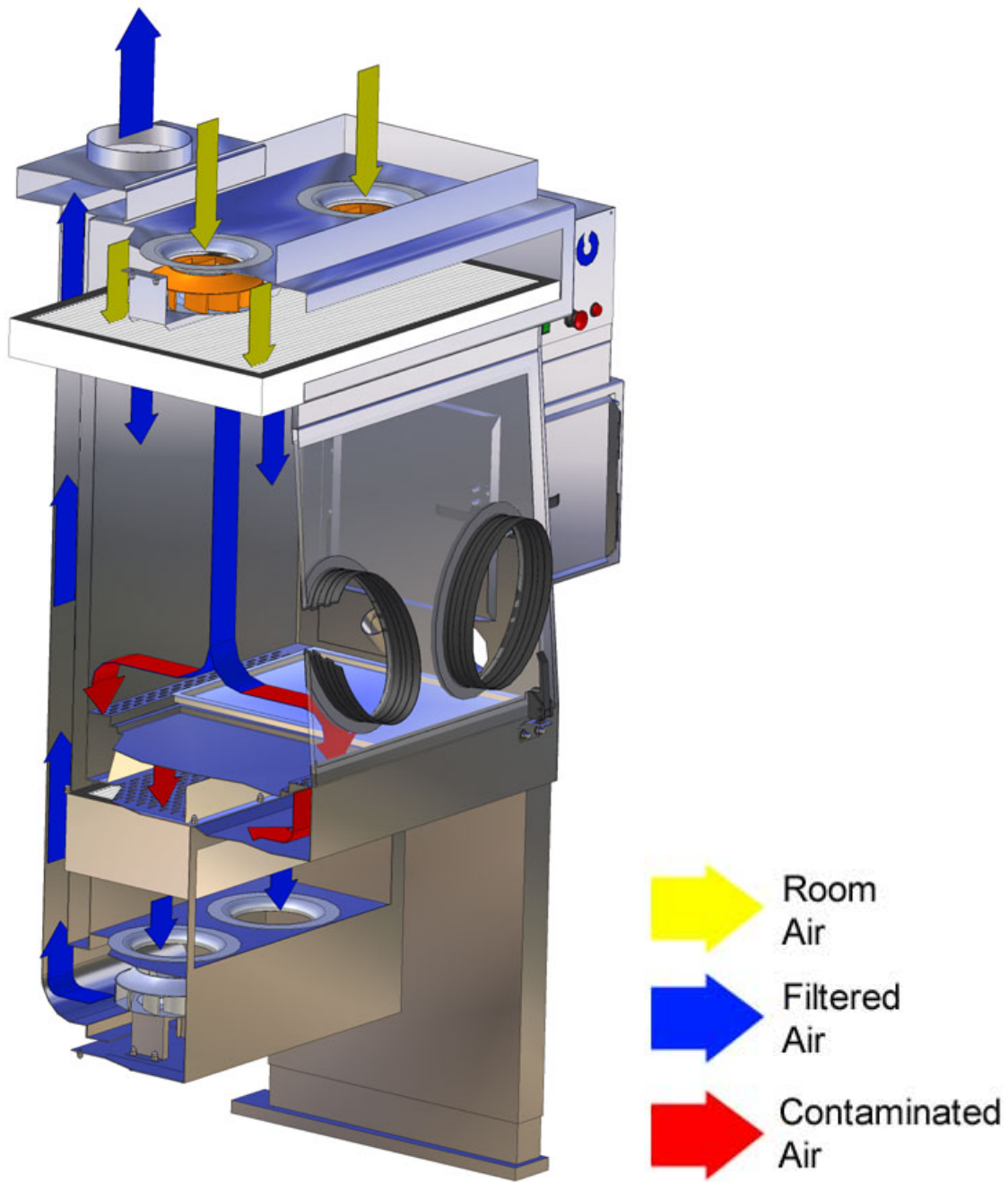
The Laminar Flow Glovebox /Isolator uses an amalgamation of cleanroom and containment technologies designed specifically for critical pharmacy applications. This unit provides laminar flow air for product protection and complete containment for operator protection.

Product Protection



The Laminar Flow Glovebox /Isolator offers the highest level of product protection by providing vertical unidirectional (laminar) flow HEPA filtered air to the complete work environment. The unit utilizes a full width and depth supply HEPA filter above the work surface. The entire work area is bathed in HEPA filtered unidirectional mass displaced air. This provides a better than ISO Class 5 particulate-free environment. Particulates generated by manipulations are continuously removed, maintaining ISO Class 5 or better conditions when operational. All air entering the LFGI is twice filtered, once by the pre-filter then by the supply HEPA filter.

Personnel Protection



The Laminar Flow Glovebox / Isolator provides personnel protection by maintaining a complete barrier from hazardous material in the work area. All air exiting the Glovebox / Isolator passes through the exhaust HEPA filter, which remove hazardous dust, powders, aerosols and other particulates. All air entering the Laminar Flow Glovebox / Isolator passes through the inlet HEPA filter which maintains the barrier. Personnel operate in the work area through gloves in a sealed view panel. Glove changes can be made while maintaining containment, furthering personnel protection.

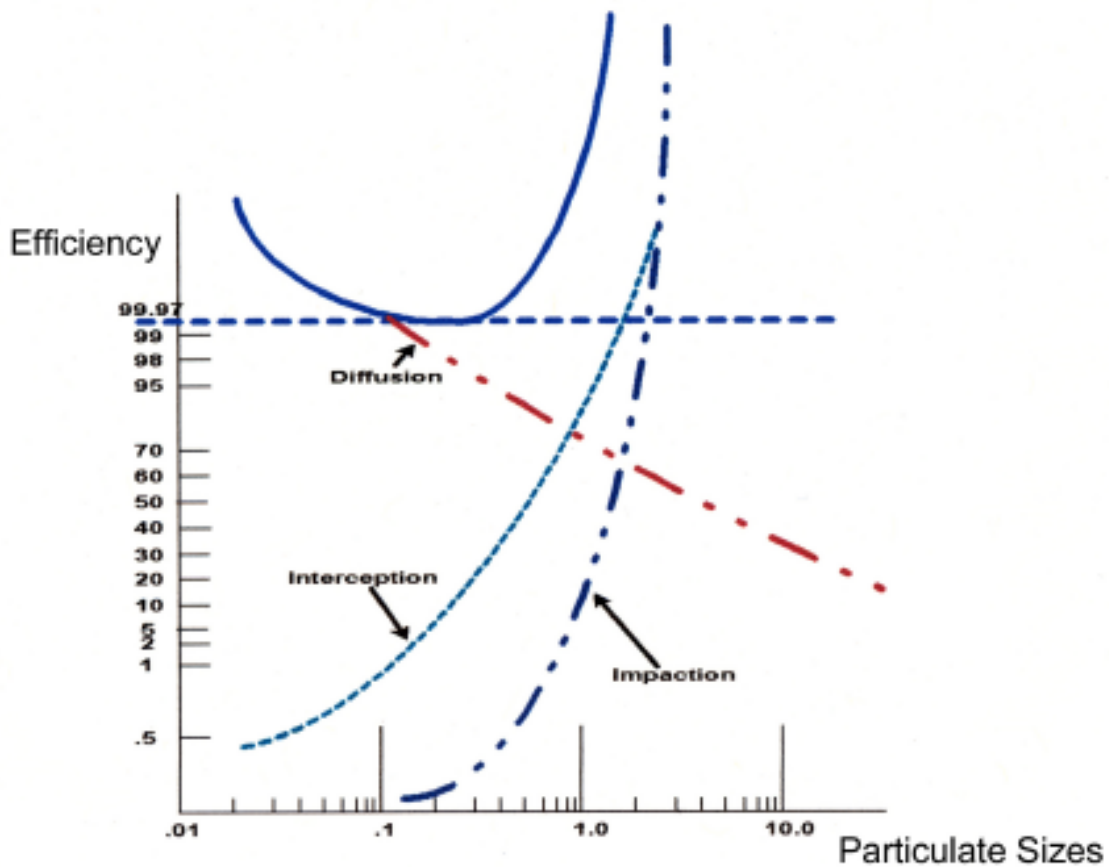
Particulates and Gases/ Vapors

The Laminar Flow Glovebox /Isolator provides personnel and product protection from particulates, dust, powders and aerosols. Microbiological particulates and aerosols, with the possible exception of Prions, are also removed. Personnel and product protection from gas and fumes is not provided by HEPA filtration, but limited protection from gas and fumes can be provided by venting or ducting. The LFGI can be configured to meet the recommendation for no recirculation and total exhaust of all air exiting the work area made by the NIOSH alert on the handling of hazardous drugs.

Theory

HEPA Filtration

The Laminar Flow Glovebox /Isolator uses HEPA (High Efficiency Particulate Air) filters to provide the highest level of personnel and product protection. These filters are the laminar flow supply HEPA filter, which filters all air passing over the entire work area, and the exhaust HEPA filter that filters all air exiting the Laminar Flow Glovebox /Isolator. Additionally, there are two HEPA filters located inside the HEPA Purge airlock that filter the purged air. All filters are rated to remove particulates and aerosols 0.3 micron in size with a minimum efficiency of 99.99%. These filters are even more effective at removing particulates both larger and smaller than 0.3 microns as the graph below depicts.



HEPA filters are recognized as one of the finest forms of mechanical air filtration available for this application. HEPA filters improve or become more efficient as they load under use. There are a number of mechanisms involved in HEPA filtration which are briefly presented below:

1. Impingement - Large particulates, e.g. dust, are captured by the filter fibers as the air stream flows around the fibers.
2. Interception - Particulates follow air stream around filter fibers and become captured (physical interference between particles and fibers).
3. Diffusion - Very small “particles” are bombarded by gas molecules causing them to move erratically (Brownian motion) and contact the filter fibers.
4. Straining - Occurs when the smallest dimension of the particulate is greater than the distance between adjoining filter media fibers.
5. Electrostatic attraction - Enhances mechanical capture through attraction of oppositely charged particles.

Unidirectional (Laminar) Air Flow

The Laminar Flow Glovebox /Isolator offers the highest level of product protection by providing vertical laminar flow HEPA filtered air to the complete work environment. This is the same technology used in the Laminar Flow Workstations and Biological Safety Cabinets that “barrier isolators” are intended to replace. The Laminar Flow Glovebox /Isolator utilizes a full width and depth supply HEPA filter above the work surface. Any particle-laden air is swept from the work area with a wash of HEPA filtered air. Filtered air washes over the work area into the front and rear grilles. Particles that are generated by the work are immediately washed into the returns and out of the work zone. Internal cross-contamination from compounding different products in the same work area is drastically reduced.

Pressurization

The Laminar Flow Glovebox /Isolator can be configured for either positive or negative pressure operation. When the system is operating under positive pressure it is referred to as an Isolator and when operating under negative pressure it is referred to as a Glovebox.

- Negative pressure Glovebox operation should be used when **personnel protection** has been determined to be of greater concern.

- Positive Pressure Isolator operation should be used when **product protection** has been determined to be of greater concern.

In either positive or negative pressure configurations the airflow in the LFGI is always in the same direction. To achieve positive pressure the supply blower pushes air into the chamber faster than it is exhausted. This causes the gloves to push out of the work area. To achieve negative pressure the exhaust blower pulls air out of the chamber faster than it is taken in. This causes the gloves to pull into the work area.

The decision to operate the Laminar Flow Glovebox /Isolator under negative or positive pressure must be determined based on your intended product application, risk assessment and current regulations. The design of the LFGI series allows a certifier to change the overall pressure of the unit while in-place. This requires in-depth knowledge of the Laminar Flow Glovebox /Isolator and its components and should not be attempted by a user.

Containment

The Laminar Flow Glovebox /Isolator maintains containment of the work area through a series of filters and its stainless steel construction. Joints are welded and polished for easy cleaning and all modular components are fully gasketed to ensure a gas tight seal. Adjustable compression hinges and positive-lock latches deliver consistent pressure at door openings.

The two door airlock functions to maintain complete environmental separation between the room and work area air.

All air entering and exiting the LFGI is HEPA filtered to ensure ambient particulates stay out of the work area and materials being compounded stay in.

Unpacking Instructions

The Laminar Flow Glovebox is shipped fully assembled in a single crate. All equipment must be inspected immediately upon receipt. If there is visible damage to the container or unit it must be noted on the receiving documents by the driver. The carrier must then be notified to arrange for an immediate inspection to verify the damage to the equipment. If damage to the unit is found after it is uncrated (concealed damage), the receiver should notify the delivering carrier at once. Do not move the equipment or discard any of the shipping materials until a concealed damage inspection is performed. If the carrier will not perform this service, please contact the factory immediately at 800- 888-5357. Without this inspection of the equipment and packing materials, the freight company may not accept a claim for damage or loss and take the position that the damage occurred after delivery.

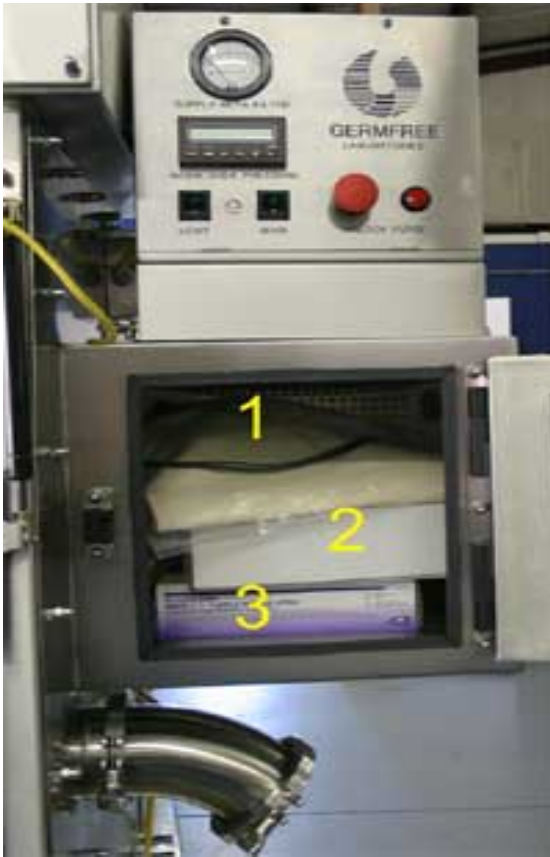


Packaged LFGI

- 1. Packing List*
- 2. Pallet with donut lifts for pallet jack*
- 3. Casters are locked for shipping and are touching the mounting rack.*

LFGI is on a rack to prevent movement during shipping.

DO NOT USE A FORK LIFT TO REMOVE LFGI FROM THE PALLET



Packed Airlock

- 1. Sleeves with gloves and O-rings*
- 2. Cleaning kit with stainless steel cleaner, abrasive pad, hanging hooks and scratch remover*
- 3. Complimentary box of gloves*

Additionally- 1-Yellow Electrical Outlet Cord (can not be seen in this picture).

Installation

The Laminar Flow Glovebox /Isolator was designed to fit through standard size doors allowing for easy installation (32” Deep and 80” High).

The Laminar Flow Glovebox /Isolator is a complete and self-contained unit and is shipped fully assembled. After unpacking, the unit can be moved into the desired location. Unlike an open front hood room air currents do not disrupt the LFGI; however, proper room placement and room access may be defined by professional and/or State regulations.

The external clean air plenum may be removed if it is discovered that the unit is too wide to fit through a door. The Prefilter housing at the top of the LFGI can be removed if the unit is too tall. Please call GERMFREE (800) 888-5357 for instruction if either of these is necessary.

The sleeves and gloves will need to be installed before turning the unit on. See section on Sleeve and Glove Changes.

Electrical Requirements

Electrical Requirements are as follows:

LFGI-3USP 115V, 15 amp plug for one 10 ft. Power cord
LFGI-4USP 115V, 15 amp plug for one 10 ft. Power cord
LFGI-6USP 115V, 15 amp plug for one 10 ft. Power cord

It is essential that the equipment be properly grounded, it is a violation of your warranty to operate without.

For service to the unit it is essential that the cord cap be easily accessible.

Optional Equipment affects Electrical Requirements in the following way-

Electrical Height Adjustment requires its own power receptacle and a 15 amp circuit on all sized units.

Additional electrical components may be required based upon equipment used inside the LFGI.

Certification

The Laminar Flow Glovebox /Isolator is a complete and self-contained unit whose performance was tested and documented before shipping. It requires certification after the unit has been installed and prior to operation. This is especially important after transportation of the LFGI from our factory to your facility. The purpose of this retesting is to verify that the HEPA filters, airflows and pressures are within limits and the unit is performing properly.

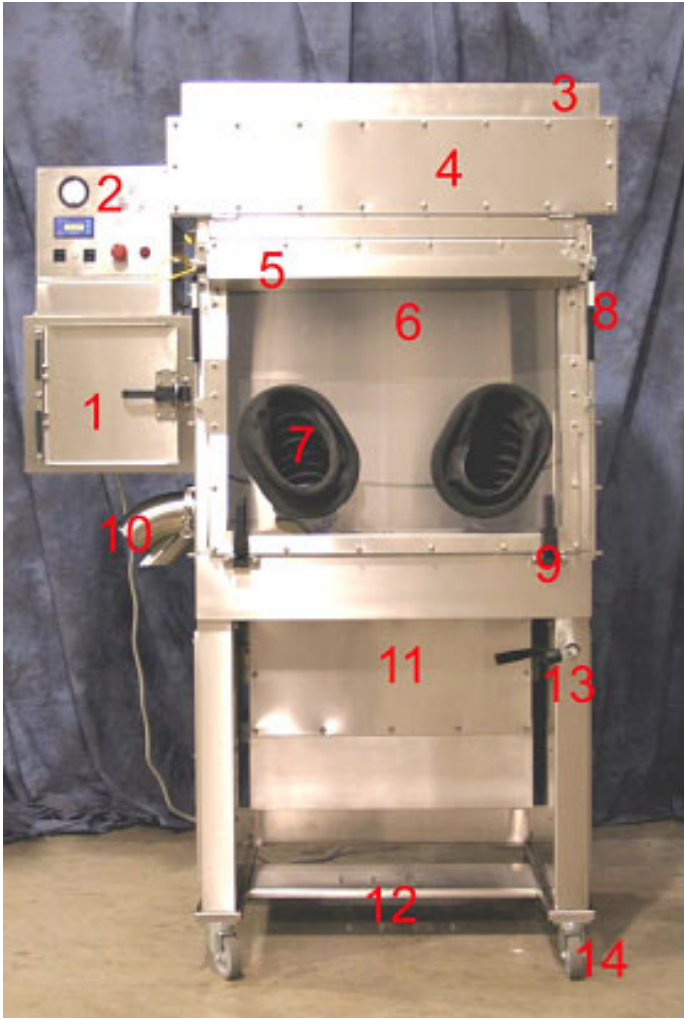
It is always a good idea to review basic operation of your new LFGI with the certification company personnel due to their knowledge of this type of equipment.

Certification may also be a Governmental and /or Professional requirement.

LFGI certification needs to be performed by a company that has the proper equipment and training needed to test and measure HEPA filter performance. Certification of the LFGI should be continued at least annually or as regulations dictate.

Please contact GERMFREE at 800-888-5357 for a list of Certification Companies in your area if you do not already have this service.

Parts Identifier



Front of LFGI

1. Airlock
2. Control Panel
3. Prefilter Housing
4. Supply HEPA Filter Access Panel
5. Light Housing
6. Work Area
7. Gloveport
8. Viewing Panel Lift
9. Locking View Panel Latch
10. Sharps and Waste Removal Tubes
11. Exhaust HEPA Filter Access Panel
12. Foot Rest
13. Hydraulic Height Adjustment Handle
14. Locking Casters



Inside the Work Area

1. Exhaust HEPA Filter
2. Sliding Work Tray
3. Return Air Grilles
4. Electrical Outlet
5. Inner Airlock Door
6. Sharps Tube
7. Waste Tube



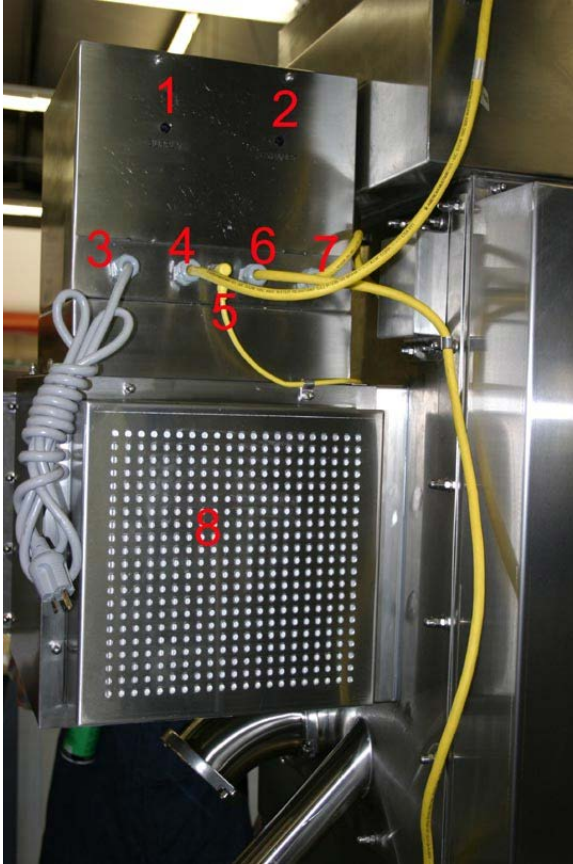
Inside the Work Area #2

- 1. Electrical Outlet Connector*
- 2. Airlock Inlet HEPA Filter Diffuser/Protector*
- 3. Sliding Airlock Tray*
- 4. Work Area HEPA Filter Diffuser/Protector*



Sharps and Waste

- 1. Outside of the Airlock*
- 2. Sharps Tube*
- 3. Waste Tube (will come with a cover and a clamp that can be removed if this feature is to be used. Clamp can be used to secure waste bags.)*
- 4. Adjustable Sharps Collector Shelf*
- 5. OPTIONAL Stainless Garbage Can*



Back of the Control Panel

1. Supply Blower Control *Certifiers Only
2. Exhaust Blower Control *Certifiers Only
3. Unit Power Cord
4. Supply Blower Power Cord
5. Light Housing Power Cord
6. Exhaust Blower Power Cord
7. Work Area Outlet Power Cord
8. Airlock Supply HEPA Filter Cover



Control Panel

1. Minihelic Gauge for Supply HEPA filter
2. Digital Work Area Pressure Gauge
3. Light Switch
4. Circuit Breaker
5. Main LFGI Blower Power
6. Purge Start Button
7. Purge Operation Light

Cleaning

Outside the LFGI

The outside of the LFGI can be cleaned at any time while the unit is closed and the procedure does not require Personal Protective Equipment (PPE) additional to that normally used when operating the LFGI. The stainless steel should be cleaned using a 70% alcohol solution or a solution specifically designated for the cleaning of stainless steel. The acrylic front and side panels should be cleaned with a soft cloth and a mild detergent, or a solution specifically designated for the cleaning of acrylic surfaces.

It is important to *never* use abrasive cleaners or organic solvents on the acrylic components. Additionally, the acrylic should not be cleaned with any solution stronger than 50% ethyl or 70% isopropyl alcohol. Do not use glass cleaner with ammonia.

Inside the LFGI

The stainless steel interior should be cleaned using a Sterile 70% alcohol solution or a disinfectant approved on surfaces for critical environments and controlled areas. If the LFGI runs under Positive Pressure, open the front access window and allow the LFGI to continue running during cleaning process. If the LFGI is under negative pressure the front access window should NOT be opened for cleaning.

See the Appendices for more detailed instruction.

Operation

Safety and Additional Training

In addition to the items previously in “Safety, Operation and Additional Professional Training” the successful use of the Laminar Flow Glovebox /Isolator depends on several factors, especially good practices and advanced planning. Providing good equipment will produce good results only if the personnel using the equipment employ proper technique. It is, therefore, the responsibility of the manager to train the personnel who will use the LFGI and see that good technique is maintained. If this is not done, a false sense of safety and cleanliness may prevail.

If the equipment is used in a manner not specified by the manufacturer, the protection provided by the equipment may be impaired.

Start-Up

***The LFGI should be certified and venting options should be installed before operation.

1. Ensure the LFGI is plugged into a functioning outlet.
2. Install Sleeves and Gloves. Please refer to the Appendix on this topic.
3. Inspect Sleeves and Gloves. Please refer to the Appendix on this topic. Any damage must be replaced prior to start-up.
4. Open the viewing panel and inspect under the work tray. Ensure there is nothing below the sliding work trays. Remove any foreign objects from the work area.
5. Clean the inside of the airlock. Please refer to the Appendix on this topic.
6. Ensure both airlock doors are latched.
7. Push the silver end of the electrical outlet into the receptacle located above the airlock and tighten the retaining ring.
8. Clean inside the work area rigorously. Please refer to the Appendix on this topic.
9. Ensure the stoppers for the trash tubes and sharps are seated in place.
10. Close the work area latches and lock, if so desired. (Note the location of the key if removed)
11. Wipe down the outside of the LFGI. Please refer to the Appendix on this topic.
12. Ensure the prefilter is seated properly in its frame at the top of the unit.
13. Turn on the work area light and watch for its operation.
14. Turn on the main blower switch. The low pressure alarm will sound until adequate pressure is achieved. Gloves should move into the work area if the unit is under negative pressure and out of the work area if under positive pressure.

Start-up time is 10 minutes minimum to achieve ISO Class 5 cleanliness.

15. Push the Airlock Purge button and ensure the accompanying red light illuminates. Purge time is factory set at 1 minute.

Operation

For safe and efficient use of the Laminar Flow Glovebox /Isolator, you should take into account the equipment and materials necessary for the proposed operation and list the procedural details for each operation. The best way to accomplish this is through the use of a checklist and/or protocol that includes all equipment, apparatus, tools, products and supplies necessary for each specific procedure. The list should include the order of events in enough detail to successfully carry out the proposed operation. This list needs to be exhaustive, including such items as initial cleaning equipment, spill control equipment and even extra gloves in case a change is required in the middle of the operation.

It is recommended to perform several trial runs in the Laminar Flow Glovebox /Isolator before initiating preparation.

1. Inspect Gloves and Sleeves. Please refer to Appendix on this topic. If appropriate, change gloves to the preferred type and size.
2. Clean the inside of the airlock. Please refer to the Appendix on this topic.
3. Ensure both airlock doors are latched.
4. Place Sharps collectors as instructed in the section on this topic.
5. Attach waste collectors to the discharge tube utilizing either the provided clamp or alternate method (tape or elastic for example).
6. Clean the inside of the work area rigorously. Please refer to Appendix on this topic.
7. Ensure the stoppers for the trash tubes and sharps are seated in place
8. Turn on the work area light and watch for its operation.
9. Turn on the main blower switch. The low pressure alarm will sound until adequate pressure is achieved. Gloves should move into the work area if the unit is under negative pressure and out of the work area if under positive pressure.
10. Push the Airlock Purge button and ensure the accompanying red light illuminates.
11. **Allow 10 minutes to pass to ensure all air inside of the work area has been filtered numerous times and an ISO Class 5 condition is met.**
12. Adjust the height of the stand to a comfortable working height.
13. Wipe down and place compounding elements into the airlock.
14. Push the airlock purge button, red light will illuminate.
15. Do not open the inner airlock door until light is off.

16. Open interior airlock door and pull sliding tray into the work area.
17. Remove items from the tray and slide tray back into the airlock.
18. Close and latch the inside airlock door.
19. Begin preparation.
20. Dispose of any waste by removing the stopper and pushing waste down the tube. Replace the stopper to maintain containment.
21. Dispose of any sharps by removing the stopper and dropping the syringe/needle down the tube. Replace the stopper to maintain containment.
22. Remove completed preparation from the work area by placing in the airlock.

Always operate with critical sites in first air. This may take practice since the source of the HEPA filtered air is now above the user instead of in front, as in the commonly used Horizontal Laminar Flow Workstation.

The LFGI is not a substitute for good aseptic technique. It will provide a clean environment for compounding but can be defeated with poor technique and disregard for cleaning and operational procedures.

Airlock Operation

The Airlock provides a sealed transfer area between the work area and the ambient room conditions. The sealed doors are fitted with adjustable compression hinges to ensure a tight seal against cross contamination.

The Airlock is equipped with a HEPA purge function to clean the air trapped in the sealed transfer area. A blower inside of the control panel pulls air out of the airlock. This air is replaced with air pulled through the HEPA filter on the rear of the airlock. The air being pulled from the airlock is also HEPA filtered. This filter is housed below the control panel.

The purge is timed and can be adjusted by your certifier to reflect cleaner ambient conditions. The timer is set for worse case scenario at the factory. The purge of air is initiated by pushing the large red button at the front of the control panel. During operation of the purge, a red light adjacent to the red button will illuminate. This light will remain on until all air is purged from the airlock and is replaced by clean HEPA filtered air.

This process ensures that the cleanliness level of the air inside of the airlock is equal to or greater than that of the work area.

Always close one airlock door before opening the other. If both doors are opened at once or the inner door is left open for a long period of time the low pressure alarm will sound.

Airlock purge is not necessary when removing items from the work area. When the inner door is opened, the airlock is flooded with clean air from the work area.

If the LFGI is being used to compound hazardous drugs it is recommended that the completed preparations be wiped down before they are placed into the airlock for removal from the work area. GERMFREE also recommends an airlock Purge when taking preparations from a contaminated work area. This reduces the chance for operators to be exposed to particulate contained within the work area.

Airlocks are equipped with a sliding tray that allows items to easily be brought into the work area, reducing operator strain. Regular cleaning of the airlock is recommended; don't forget to clean under the tray.

Usage

Do not

- lean materials against the back or front wall as they will block the return air grills.
- operate without gloves or sleeves.
- open both airlock doors at the same time.
- open the front viewing panel when compounding hazardous drugs. If a spill occurs and it is necessary to open the front panel, decontaminate the work area as best as possible first and don appropriate PPE.
- clean the viewing panel with ammonia based cleaner (glass cleaner is not plastic cleaner!)
- operate with the sliding work trays pushed to one side or the other of the work area.
- leave the plugs off the waste and sharps discharge tubes.
- place anything inside of the work area that would contaminate the work area such as pictures, plants, ornaments etc.
- turn the LFGI off if under negative pressure for the compounding of hazardous drugs.

Do

- disinfect and sanitize the work area at the beginning and end of each shift and after any large spills
- change your hand gloves regularly.
- sanitize gloves and work area with alcohol between each preparation.
- adjust height and glove size to maximize operator comfort.
- wear gloves and body coverings (gowns and hair nets) to eliminate unnecessary contamination from the largest source of contaminants... YOU!
- purge airlock air before bringing materials into the work area.
- lock the caster wheels in place.
- wipe down all materials to remove surface contamination before placing them in the airlock.
- follow all existing internal procedures and policies- if you wouldn't do it in a laminar flow workstation or a biological safety cabinet you shouldn't do it in an LFGI.

Practice Proper Aseptic Technique

The Barrier Isolator family of equipment is no different than that of the Laminar Flow Workstation or the Biological Safety Cabinet- the equipment is a tool to aid the operator in maintaining a clean environment for the compounding of preparations. The equipment will never be a substitute for proper aseptic technique. If the environment is not cleaned well or the operator's technique is poor, an aseptic media fill test will usually reveal the inadequacies.

Sharps



The Sharps disposal system on the LFGI is designed to accommodate any sharps container with a 5" mouth or hinged lid up to a maximum size of 27" H x 20 " D x 14.5" W

Some BD part numbers that fit this description are as follows:

305491
300473
305615
305616
305601
305602
305609
305610
305665
305666
305457
305493 * Yellow for Chemo
305603 * Yellow for Chemo
305614 * Yellow for Chemo

The Sharps Collector shelf is height adjustable and should be placed at a height where the sharps tube is down inside the collector. This will reduce the risk of overflowing a collector. All institute regulated safety policies should be followed when handling sharps.

To move the shelf simply tilt up the outside edge of the shelf to release the bottom tabs from the slotted track. The top shelf tabs are notched and will require a push up from the bottom of the shelf. This system is equivalent to the casework found in many pharmacies and allows for many different sizes of containers to be used.

Alternatively, sharps collectors can be placed inside of the work area and can be passed through the airlock.

Waste Removal

Waste discharge tubes are used for the rapid removal of waste products generated during procedures. The Discharge Tubes need to be kept sealed with the caps on while not in use.

Any size bag can be attached to the outside of the Discharge Tube. The bag must be of proper strength and material to be compatible with discharge waste. Attach the bag to the tube with a rubber band and/or tape and make sure the bag is supported.

A Stainless Steel Garbage Can is available as an option. Never fill the bag completely full; allow enough space to seal.

To remove the bag, first cap the Discharge Tube from inside the work area; next, twist or constrict the bag below the Discharge Tube; then clamp shut this area with tape or plastic wire ties. After the bag is sealed it can be detached from the Discharge Tube. This method of bag removal should be used for contaminated items.

Appendices

Warranty Information (2 year standard)

Limited Warranty

GERMFREE warrants equipment to be free from malfunctions and defects in both materials and workmanship for two years from the original purchase date, unless otherwise indicated on the sales order/invoice.

Limited Warranty Coverage

THIS LIMITED WARRANTY WILL BE HONORED ONLY WITHIN THE GEOGRAPHICAL LOCATION/FACILITY THAT GERMFREE EQUIPMENT WAS PLACED.

GERMFREE will REPAIR or REPLACE GERMFREE equipment if they fail to function properly during the warranty period, subject to any conditions and/or limitations stated herein. Such repair service may include labor as well as any necessary adjustments and/or replacement parts.

Such repair or replacement is the sole remedy under this warranty. If replacement parts are used in making repairs, these parts may be remanufactured, or may contain remanufactured materials. If it is necessary to replace the entire product, it may be replaced with a remanufactured product.

Limitations

This warranty does not cover circumstances beyond GERMFREE's control, nor problems caused by failure to follow the operating instructions in the GERMFREE equipment manuals.

THIS WARRANTY DOES NOT APPLY WHEN FAILURE IS DUE TO SHIPPING DAMAGE, ACCIDENT, ALTERATION, MODIFICATION, UNAUTHORIZED SERVICE, MISUSE, ABUSE, USE WITH INCOMPATIBLE ACCESSORIES OR ATTACHMENTS, FAILURE TO FOLLOW GERMFREE'S OPERATION, MAINTENANCE OR REPACKING INSTRUCTIONS, OR CLAIMS MADE AFTER THE DURATION OF THIS WARRANTY.

GERMFREE makes no other express or implied warranty for this product. In the event that the exclusion of any implied warranty is ineffective under the law, the duration of the implied warranty will be one year from the purchase date.

The option of replacement is GERMFREE's only obligation. GERMFREE will not be responsible for any special, consequential or incidental damages resulting from the sale, purchase, or use of this product, regardless of the cause. Liability for any special, consequential or incidental damages (including but not limited to loss of revenue or profit, downtime costs, loss of the use of the equipment, cost of substitute equipment, facilities or services, or claims of your customers for such damages resulting from the purchase, use or failure of the product), regardless of cause or for breach of any written or implied warranty is expressly disclaimed and excluded here from.

Your Rights

Some states or jurisdictions do not allow exclusion or limitation of incidental or consequential damages, so the above limitation or exclusion may not apply to you. Some states or jurisdictions do not allow limitations on how long an implied warranty lasts, so the above limitation may not apply to you.

This warranty gives you specific rights, and you may have other rights which vary from state to state or by jurisdiction.

Outside the United States

In countries other than the United States, the terms and conditions of this warranty may be different. Unless specific GERMFREE warranty is communicated to the purchaser in writing by a GERMFREE company, no warranty or liability exists beyond any minimum requirements imposed by law, even though defect, damage, or loss may be by negligence or other act.

Maintenance

Typical life span of a glove sleeve is 6 months and GERMFREE recommends that they be changed at that interval. See the appendix "Glove/Sleeve change" for instruction.

Typical life span of a prefilter is 3 months but differing room conditions can require replacement more or less frequently. During the first 3 months of operation the pre-filter should be checked once per month to determine an average life span. Pre-filters should be changed regularly thereafter.

Hydraulic lift system does not require any maintenance.

Regular certification will dictate life spans and replacement schedules of the supply, exhaust and airlock HEPA filters. Regular replacement of the prefilter will lengthen the life of your supply HEPA filter. The Minihelic Gauge is an indicator of differential pressure between

the blower inlet and the Supply HEPA filter. It is a qualitative indicator of the HEPA filter condition. Your certifier should note the starting pressure and monitor it periodically. Large changes in readings in a short time period is indicative of possible failures. Typical HEPA filter life span is 3-5 years.

Light Bulb Replacement

The “T-8” fluorescent bulb used in the LFGI can be purchased at any hardware store.

1. Make sure the light switch is turned off.
2. Remove the external bolts that hold the housing to the outside of the viewing panel.
3. Check to make sure that the problem isn't something so simple as a poor contact. This can usually be corrected by giving the bulb a gentle turn a few degrees and then back to the lock position.
4. Hold the old bulb firmly at one end, and rotate it one quarter-turn clockwise. This should put the end prongs in line with the loading slot.
5. Slide the bulb free.
6. Lower the end of the bulb carefully out of the socket. When one end is free, pull slightly and the other end should come out also.
7. Set the old bulb aside and lift a new bulb into the fixture.
8. Hold the bulb horizontally, and rotate the new bulb until the prongs on each end are lined up with the grooves in the socket.
9. Insert the prongs in the socket and rotate the bulb a quarter-turn in a counterclockwise direction. The bulb should click into place on each end.
10. Test the light at the switch. If the light still doesn't come on you may need to replace the ballast. Contact GERMFREEE @ 800-888-5357 for this replacement part.
11. Replace the light housing and secure the bolts.

Ducting

LFGI Venting Options

The new NIOSH and USP <797> regulations have made it necessary that the airflow design of barrier isolators be flexible to accommodate a variety of conditions.

For example, it is recommended that a safety cabinet used in the handling of hazardous drugs does not recirculate air within the work area. The potential vaporization of the hazardous material is of concern. The recirculated air is HEPA filtered but this filtration removes particulate only, not vapors. The recirculation of this vapor-laden air serves only to concentrate vapors within the work area thereby increasing the potential for worker exposure. To meet this recommendation the LFGI can be configured to totally exhaust all air from the work area. This requires the facility to provide a blower that is capable of moving 300-600 cfm through an 8" diameter duct. (LFGI exhaust volume depends upon the size of the unit. 3 foot units exhaust 300 cfm, 4 foot units 400 cfm and 6 foot units 600 cfm.) Static pressure in this situation can range from 0.05 if the exhaust blowers are left on to upwards of 2" w.c. if the exhaust blowers are turned off and the HEPA filter is moderately loaded with particulate. Ensure static capacity of the external blower can also accommodate the static imparted by the ducting used. The LFGI has a height adjustable stand and to retain this feature we recommend that the portion of ducting immediately exiting the LFGI be a flexible duct of at least 10 inches of length.

The standard LFGI configuration requires no venting. The HEPA filtered exhaust air is recycled by an external clean air plenum up the rear of the unit back to supply air intake. A small amount of HEPA filtered air is exhausted out of the unit into the surrounding room.

Electronic Adjusting Stand

The electronic height adjusting stand is powered by a motor housed at the back of the LFGI. Hydraulic lines run to a cylinder at each caster and are pressurized to move the work area up and released to lower it. This action is activated by a switch located under the work area on the outside of the unit. Direction is indicated by arrows on the switch.

The electronic adjusting stand requires its own power outlet/plug.

Automated Compounders

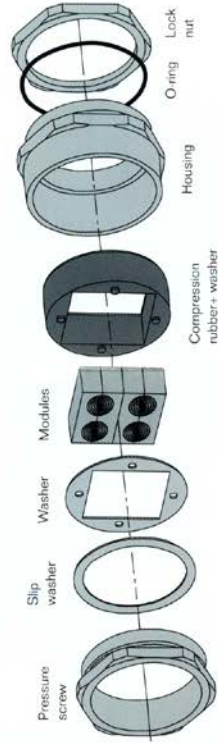
GERMFREE works with all compounding equipment manufacturers to ensure that the equipment fits and is located properly. There are options available to install sealed cable pass trough's to allow monitors and printers to sit outside of the work area (as they should be). If you are installing automated compounding equipment please contact GERMFREE for your options.

The next page gives instructions on how to use the sealed cable pass through if your unit is so equipped. You will find the vial of lubricant that is mentioned in the instructions in your cleaning kit.

Use caution when setting the pass through up as it is mounted in the plastic side panel. Replacement cable modules are available if your needs change in the future, contact GERMFREE for more details.

Assembly Instruction Roxtec Gland M63

<p>RG M63/1</p> <ul style="list-style-type: none"> 1 pcs Housing 1 pcs Pressure screw 1 pcs Lock nut 2 pcs Washer 1 pcs Compression rubber 1 pcs Module 40 10-32 1 pcs Slip washer 1 pcs O-ring 1 pcs Lubricant 	<p>FC M63/4</p> <ul style="list-style-type: none"> 1 pcs Housing 1 pcs Pressure screw 1 pcs Lock nut 2 pcs Washer 1 pcs Compression rubber 2 pcs Module 20w40 1 pcs Slip washer 1 pcs O-ring 1 pcs Lubricant 	<p>RG M63/9</p> <ul style="list-style-type: none"> 1 pcs Housing 1 pcs Pressure screw 1 pcs Lock nut 1 pcs Washer 1 pcs Compression rubber 3 pcs Module 13.3w40 1 pcs Slip washer 1 pcs O-ring 1 pcs Lubricant
---	--	--



1


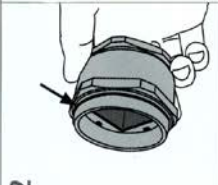

Separate the lock nut from the gland housing.

2

Check that the O-ring is in the right place.

3

Insert the gland in the hole. Fasten with the lock nut. Hole dimensions 63.5-64 mm.

9

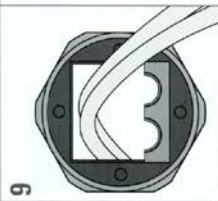
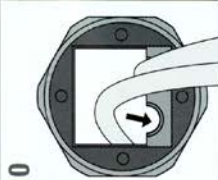
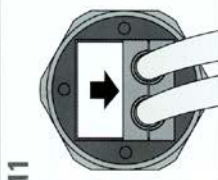
Start by placing a module half at the bottom.

10

Place the cables in the adapted modules.

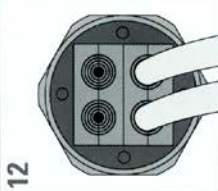
11

Add the second module half on top.

12

Add the next module and continue until the packing space is filled.



5

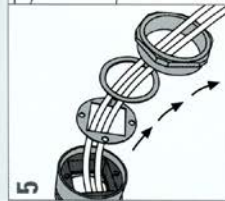
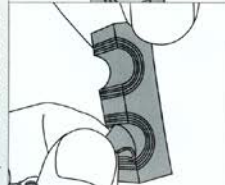
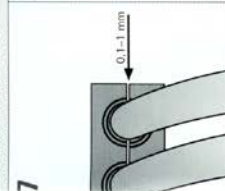
Temporarily remove the pressure screw, slip washer and the washer.

6

Adapt all modules to the cables.

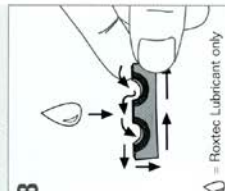
7

Achieve a 0,1-1 mm gap between the module halves!

8

Lubricate all the modules! Smear the Lubricant onto the rubber areas.

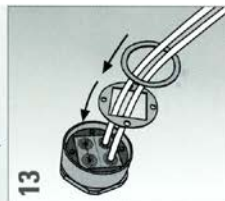
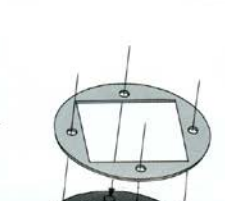


13

Put the washer and slip washer back in place.

14

Reinstall the Pressure screw. Tighten it hard to compress the gland.

Gloves

We recommend a glove with a longer cuff length for use with the LFGI. The sleeve and “bracelet” system will accommodate almost any commercially available glove but some suggestions (this does not constitute product endorsement by GERMFREE) are as follows:

SafeSkin by Kimberly-Clark offers Powder-Free Purple Nitrile Exam gloves in a 12 inch cuff.

Chemo Plus, Chemo Bloc T, Chemo Bloc, Chemo Plus Neoprene, Chemo Bloc Nitrile and Chemo Bloc Nitrile Plus by Kendall offer a 12 inch cuff.

Microflex offers many cleanroom grade gloves at a 12 inch cuff length, some sterile some non.

Alarm

When the low pressure alarm sounds, corrective action must be performed or the unit will require shut down to stop the alarm. Alarms are tested at the factory before shipping. Dramatic drops in pressure indicating possible containment failure are alarmed. Alarms will sound when operating work area pressures are between -0.03 and $+0.03$ inches water column (w.c.). Normal work area pressures are $0.1 (\pm 0.025)$ inches w.c. in either positive or negative overall pressures.

Troubleshooting for Alarm Sounding

Cause	Corrective Action
Glove Rip/Tear/Removal	Replace Glove
Sleeve Rip/Tear/Removal	Replace Sleeve
Inner Airlock Door open	Close Inner Airlock Door
View Panel not Sealed	Ensure latches are fastened on view panel
Pressure Hose Disconnected	Reconnect small tube between control panel and work area

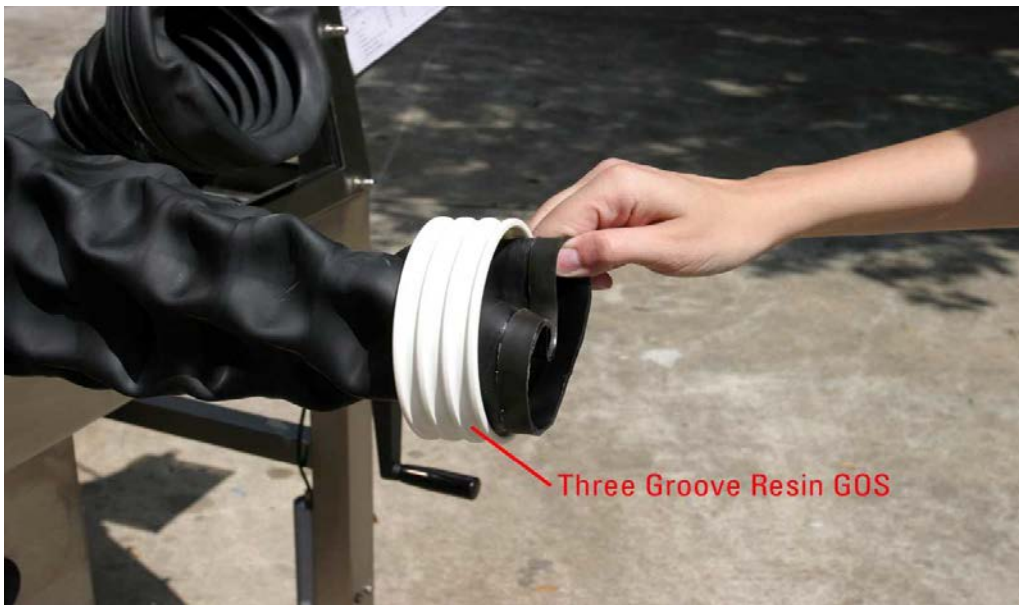
After corrective action is taken, allow 30 seconds for alarm to reset. Observe the digital read-out to ensure that the magnitude of the number is increasing. If number does not increase and alarm continues to sound call your certifier or GERMFREE at 800-888-5357 for further troubleshooting.

Procedure for Changing Gloves During Maintenance

Your standard two-part glove consists of:

- 1 glove sleeve
- 1 disposable glove
- 1 Glove Over Sleeve (GOS), a 3” diameter ring with three grooves on the outside
- 2 Glove O-ring clamps, rubber rings that can stretch to fit around the GOS
- 1 Sleeve O-ring clamp, rubber ring that can stretch to fit around the 10” gloveport

1) Pull the Glove and Sleeve out of the work area so that the sleeve is inside out and pull the existing glove and securing O-rings off.



2) Fold the sleeve back over the GOS so that the end of the sleeve is even with the end of the GOS.



3) Stretch the O-ring clamp over the sleeve and secure in the last groove of the GOS (the one farthest away from your person).



4) Stuff the new Glove inside the sleeve and stretch the cuff over the sleeve/GOS. TIP- stretching the new glove cuff with both hands before trying to stretch it over the GOS will sometimes make the task easier as well as identify weaknesses in the glove before you get it into the work environment. The thumb of the glove should point up.



5) Take the second O-ring clamp and slide it over the glove, securing it in the GOS groove closest to you.



6) Push the entire glove and sleeve back into the box; it has been successfully changed.



Modification of glove change procedure-

Changing the glove while in operation to maintain containment is possible and can become easy with practice.

- 1) Pull glove and sleeve inside-out of the work area.
- 2) Remove the glove O-ring.
- 3) Roll the existing glove's cuff down to the first groove in the GOS (the one closest to your body).
- 4) Take a new glove and stuff it inside of the existing glove leaving the cuff out and ensuring the thumb is pointed up.
- 5) Stretch the new glove's cuff over the old one up to the middle groove of the GOS.
- 6) Secure the new glove with the glove O-ring at the middle groove of the GOS.
- 7) Push the glove and sleeve back into the work area.
- 8) Reach into the work area through another glove and grab the new glove assembly. At this point the glove exposed to the work area is the old glove with the new glove trapped behind it.
- 9) With two fingers, carefully work the old glove off of the GOS from inside the work area. It will begin to come free in one spot. Work the free spot around the perimeter of the GOS removing the old glove.
- 10) Dispose of the old glove through the waste tubes and push a hand into the new glove.

Sleeve Changes



As seen in this picture there are two grooves on the LFGI gloveport. The sleeve can be placed at either position and secured with the Sleeve O-ring.

To change a sleeve during maintenance, simply remove the securing O-ring and pull the sleeve out of the work area and off of the gloveport.

Typically, new sleeves do not come with GOS or glove O-rings so save them from the existing sleeve. To order extras contact GERMFREE at 800-888-5357.

To replace while maintaining containment of the work area first remove the sleeve O-ring and move the sleeve to the outermost groove. Next push the new sleeve inside of the old and pull over the gloveport down to the innermost groove. Replace

the sleeve O-ring over the new sleeve to secure it. Reach inside of the glovebox with the other glove and pull the old sleeve off and into the work area. Dispose of Sleeve through the airlock.

Glove and Sleeve Inspections

A visual inspection of all glove and sleeve surfaces is recommended at the beginning and end of each day. Any tears or punctures would require a replacement.

If the unit is operating and is under pressure the operator can run a hand on all surfaces to feel for any air moving into or out of the work area through imperfections in the surfaces. Soap solution can also be used. If the LFGI has pressure the soap will bubble at any cut, tear or puncture.

Cleaning the LFGI- Heavy Duty (Rigorous)

Outside the LFGI

The outside of the LFGI can be cleaned at any time while the unit is closed and the procedure does not require PPE additional to that normally used when operating the LFGI. The stainless steel should be cleaned using a 70% alcohol solution or a solution specifically designated for the cleaning of stainless steel. The acrylic front and side panels should be cleaned with a soft cloth and a mild detergent, or a solution specifically designated for the cleaning of acrylic surfaces.

It is important to *never* use abrasive cleaners or organic solvents on the acrylic components. Additionally, the acrylic should not be cleaned with any solution stronger than 50% ethyl or 70% isopropyl alcohol. Do not use glass cleaner with ammonia.

Work from top to bottom. Do not remove or spray the prefilter at the top of the unit. When cleaning the Airlock HEPA filter housings do not directly spray, instead spray the cleaning agent into the cleaning cloth and wipe the outside surface off.

Raise the stand at least 3 inches from bottom position to wipe down the caster cross supports.

NEVER spray cleaner of any type directly at the control panel located above the airlock. Always spray onto a clean wipe and then wipe the surface, switches and knobs.

Inside the Airlock

1. Open the outer airlock door. Spray a clean wipe with disinfectant cleaner and wipe the top HEPA filter protector from front to back moving left to right with overlapping strokes.
2. Spray the wipe with cleaner and wipe the back HEPA filter protector from top to bottom, moving left to right with overlapping strokes.
3. Spray the cleaner on the inside of the outer airlock door and remaining side and wipe from top to bottom moving left to right with overlapping strokes.
4. Open the airlock door into the work area and slide the tray out into the work area. Spray the floor of the airlock with disinfectant cleaner and wipe down.
5. Spray the tray with cleaner and wipe from left to right, and front to back with overlapping strokes. Slide the tray back into the airlock.
6. Spray the inside of the inner airlock door and wipe from top to bottom moving left to right with overlapping strokes. Close and latch the inner airlock door.

7. Repeat steps 1-6 using sterile water to rinse any disinfectant away.
8. Repeat steps 1-6 using 70% IPA to sterilize the surfaces and run a purge cycle.

Inside the LFGI

A disinfectant cleaner should be used, followed by 70% alcohol. This cleaning method, when properly performed, prevents dripping of dirty solution onto cleaned surfaces and does not carry contaminants from surfaces near the open front of the work area to the rear. It is recommended to clean the airlock prior to the work area.

1. If a Positive Pressure LFGI, open the front access window.
If under Negative Pressure see Note on Page 40.
2. Spray disinfectant cleaner on a lint-free cleaning wipe. Wipe the filter diffuser in the top of the work area wiping from side to side, overlapping strokes. Work outward from back to front.
Do not spray cleaners directly at the Supply HEPA filter- always spray the cleaner onto the cleaning wipe then clean the filter protector surface.
3. Spray the back wall of the work area. Wipe the wall beginning at the top and wipe top to bottom using overlapping strokes working downward toward the work surface and wipe the rear air return grill. Work sideways from left to right.
4. Spray the sides of the work area. Using overlapping strokes, wipe top to bottom working downward toward the work surface. Be sure to clean the entire airlock door surface that is exposed to the inside of the work area, including the handle.
5. Slide the left tray over the right tray; spray the interior bottom surface of the isolator. Clean by wiping from the back to the front using overlapping strokes. Be sure to clean the sides and back under the sliding work tray and air return grill. *Do not spray cleaners directly at the Exhaust HEPA filter- always spray the cleaner onto the cleaning wipe then clean the filter protector surface.*
6. Slide both work trays to the left and repeat procedure #5 on the right side. Sliding work trays are removable for cleaning if preferred (simply lift them out).
7. Spray the sliding work tray and wipe using a side to side motion overlapping strokes working from back to front, and clean all inside and outside edges.
8. Slide the clean tray to the side and repeat the procedure on the other tray.
9. Remove glove sleeves and spray the inside of the open front access window. Using overlapping strokes, clean from top to bottom.
10. Spray a clean wipe with disinfectant cleaner and use it to clean glove ports.
11. Spray a clean wipe with disinfectant cleaner and use it to clean IV hanging bar and hooks.

12. Spray a clean wipe with disinfectant cleaner and wipe the front air return grill.
13. Close the front window. Clean the glove sleeves and gloves and replace on the front window.
14. Open the front window and repeat steps 1-13, without removing the sleeves and gloves, with sterile water to rinse away any disinfectant.
15. Turn on the LFGI and close the front access window.
16. Spray 70% IPA directly on all surfaces of the rest of the work area, under sliding work trays, the inside of the front access window, gloves and sleeves.
17. Allow the LFGI to run for 10 minutes before use.

If the LFGI is under negative pressure all cleaning steps must be performed as described above with the viewing panel closed and through attached sleeves/gloves. GERMFREE can provide an isolator cleaning tool to assist you in this function, contact us at 800-888-5357 for more information.

Cleaning the LFGI between preparations- Light

Sanitizing the LFGI work area between preparations is recommended to reduce the chances of cross contamination. 70% Isopropyl Alcohol is the most recommended agent for this task.

1. Open only the outer door of the airlock. Spray a clean wipe with alcohol and wipe the top and back HEPA filter covers.
2. Spray the remaining surfaces, including the tray with alcohol and wipe with overlapping strokes.
3. Leave the spray bottle in the airlock and close the outer airlock door. Run a purge cycle.
4. Open the inner airlock door and remove the spray bottle.
5. Spray all vertical surfaces in the work area with alcohol and wipe from top to bottom with clean wipes, overlapping strokes moving left to right.
6. Spray the air grills and work surface with alcohol and wipe from left to right with overlapping strokes moving back to front.
7. Spray the sleeves and gloves and rub together, then wipe off.
8. Spray the same surfaces lightly and allow to air dry.

If all materials are wiped down prior to placement in the airlock, it should remain clean for a number of preparations in a row.

<i>Cleaning Agents</i>			
Class	Recommended Use	Examples	Name Brand Products
Phenolic Compounds	Bactericide, Fungicide, Tuberculocide, Viricide	Hil-Phene, LpH, Metar, Vesphene Brand	Decon-Cycle by Veltek Lysol® L-Stat Ultrar Phene Medaphene® Amphyl®
70% Isopropyl Alcohol Solution	Cleaning certain instruments, cleaning skin		TexShield™ by Texwipe, Decon-Ahol® By Veltek
Chlorine Compounds	Spills of human bodily fluids, bactericide, fungicide, sporicide at >1000ppm Sodium Hypochlorite	Bleach Solutions (Sodium Hypochlorite),	Clorox, Cyosan, Purex
Quaternary Ammonium Compounds (QUATS)	Ordinary housekeeping of floors, furniture, walls, bactericide, fungicide, viricide (not as effective as phenols)	Quatsyl Coverage 258, End-Bac, Hi Tor	Decon-QUAT 100® By Veltek Lysol®-IC Alpha-Lemon QUAT by Alphasource
2% (W/W) Sodium Hypochlorite 1% (W/W) 0.9% Sodium Thiosulfate	Cleans and inactivates anti-cancer drugs on chemotherapy work surfaces		Surface Safe®

This list is by no means comprehensive nor does it constitute endorsement by GERMFREE.

Read the labels on the products you are currently using to categorize them then rotate cleaning agents to avoid developing any resistant strains. Contact your current disinfectant supplier or search the internet for purchasing information.

Cleaning Terms

Clean

Free from disease or infectious agents <a pullorum-*clean* flock> <keep installations *clean* of TB infection>

Deactivate

1 : to make inactive or ineffective

2 : to deprive of chemical activity

Decontamination

A process that reduces contaminating substances to a defined acceptance level.

To make safe by eliminating poisonous or otherwise harmful substances, such as noxious chemicals or radioactive material.

To rid of contamination (as radioactive material)

Disinfect

To destroy [pathogenic microorganisms](#) in or on any [substance](#) or to [inhibit](#) their [growth](#) and [vital activity](#).

To cleanse something so as to destroy or prevent the growth of disease-carrying microorganisms.

To free from infection especially by destroying harmful microorganisms

Sanitization

That part of decontamination that reduces viable microorganisms to a defined acceptance level, normally achieved by using a chemical agent or heat.

To make sanitary (as by cleaning or sterilizing) <if the apparatus is not properly *sanitized*, pathogens may be disseminated to subsequent patients —*Journal of the American Medical Association*>

Sterilize

To make free from live bacteria or other microorganisms.

References provided by:

The American Heritage® Stedman's Medical Dictionary Copyright © 2002, 2001, 1995 by Houghton Mifflin Company.

Merriam-Webster Medical Dictionary, © 2002 Merriam-Webster, Inc.

The American Heritage® Dictionary of the English Language, Fourth Edition copyright © 200 by Houghton Mifflin Company.

LFGI- USP Specification Sheets

UNIT SPECIFICATIONS SHEET

LFGI-3USP LAMINAR FLOW GLOVEBOX / ISOLATOR

SECTION I. PERFORMANCE DATA

The Laminar Flow Glovebox/Isolator provides the ultimate in both product and operator protection. The LFGI functions as a Glovebox while operating under negative pressure to meet NIOSH recommendations and as an Isolator under positive pressure to meet USP <797> regulations. HEPA filtered unidirectional (laminar) air bathes the work area to protect the product from contamination and removes any particulate generated by sample manipulation. The operator is provided a complete barrier from materials being manipulated in the work area. The LFGI Series of barrier isolators meet or exceed ISO 14644-1 Class 5 air quality. Each LFGI, before shipping, undergoes rigorous physical testing to assure the unit meets performance requirements as validated. It is required that independent certification be performed before use.

SECTION II. EQUIPMENT SPECIFICATIONS

Construction-

- Overall Dimensions: 54" W (39" W at base) x 32" D x 80" H
- Work Area Dimensions: 34 1/2" W x 24 1/2" D x 29" H
- Designed to fit through standard door openings and elevators.
- All stainless steel construction both inside and out with a pharmaceutical grade finish.
- 316L Stainless steel work trays slide over one another and are removable to facilitate easy clean up under the work deck.
- All viewing panels are stainless steel framed Acrylic
- Front viewing panel is top hinged and self supporting for easy access to the work area for cleaning and equipment ingress.
- All filter diffuser / guard panels are removable for easy cleaning.
- Straight sides and back maximize work area to accommodate the many types and shapes of pharmacy equipment and compounders.
- All corners in work area, antechamber and work surface are easily reached and cleaned.

Antechamber-

- Sealed two-door airlock (16" W x 13 1/2" D x 14 1/4" H) maintains complete environmental separation between work area and ambient conditions.
- HEPA filtered purge of trapped airlock air eliminates cross contamination between the work area and the room during both material ingress and egress.

Waste Removal-

- Trash tube is a 4" diameter tube, flanged for waste bag/container connection and provided with an easily removable seal/stopper to maintain work area containment. (Stainless trash can is available)
- Sharps tube is a straight 2 1/2" diameter tube to facilitate quick drop of the largest syringes and provided with an easily removable seal/stopper to maintain work area containment.

-Fully adjustable sharps container shelf accommodates most commercially available wide mouth or hinged top sharps collectors. (Examples BD Part # 305610 and 305491)

Safety-

- Lock-out handle requiring key for access to work area.
- Digital pressure readout with low pressure alarm for work area.
- Inward/Outward face velocity is 95-100 linear feet per minute at gloveport opening, to protect operator/product during massive breach of containment.
- Glove changes can be made without breaking containment.
- Locking casters are standard, seismic anchors are available.

Ergonomics-

- Hydraulic assist height adjusting stand offers a full 10" range variance allowing operators to sit or stand comfortably for extended time periods.
- Stainless steel sliding tray inside the airlock pulls into the work area eliminating reaching strains.
- Two part sleeve/glove system allows the use of most types and sizes of commercially available gloves for better dexterity and tactility.
- Extra large oval gloveports are placed with bottoms together to provide an anthropometrically correct configuration that accommodates a wide range of body types and increases range of movement.
- Gloveports have a 3" arm rest to reduce operator fatigue.
- Large viewing panel is at an angle to reduce glare and operator strain.
- Integrated foot rest.

Configuration Options-

- Overall work area pressure can be either positive or negative and can be altered in-place by a certifier.
- Antechamber can be left or right handed or can be installed on both sides.
- Waste and sharps removal tubes can be left or right handed or can be installed on both sides.
- Three available exhaust options that can be factory set or changed by a certifier in-place.

Filtration-

- Full framed standard size minipleat HEPA's filter 100% of inlet and exhaust air from both the work area and the antechamber to provide a fully contained environment.
- HEPA filters are full coverage and front loading for easy replacement by a certifier.
- A Prefilter extends the life of the work area supply HEPA filter and can be replaced without tools.

Electrical-

- High capacity motor/blower systems with speed control to extend HEPA filters life.
- Ten foot hospital grade power cord with molded grounded plug.
- Sealed outlet in work area.
- Separate lighted power ON/OFF indicator switches for blower and lighting.
- High efficiency, standard sized fluorescent lights are externally mounted to minimize heat build-up.
- Voltage = 115 Volt, 60 Hz (220/50-60 Hz also available).
- Amperage Rating = 15, Running Amperage = 6

Exhaust-

- Clean air plenum is external to the work area.
- Constructed to allow for optional outside venting of exhaust air.
- Constructed to allow for 3 exhaust options that can be factory set or changed by a certifier in-place
- Venting is not required for operation but is optional.

	No Exhaust- ~100% recycling of air	Total Exhaust- no recycling of air.
Exhaust Connection	N/A	8" OD flexible duct
Exhaust CFM	20	300
Exhaust Static	N/A	Up to 2 inches w.c. (depending upon configuration)

Weight-

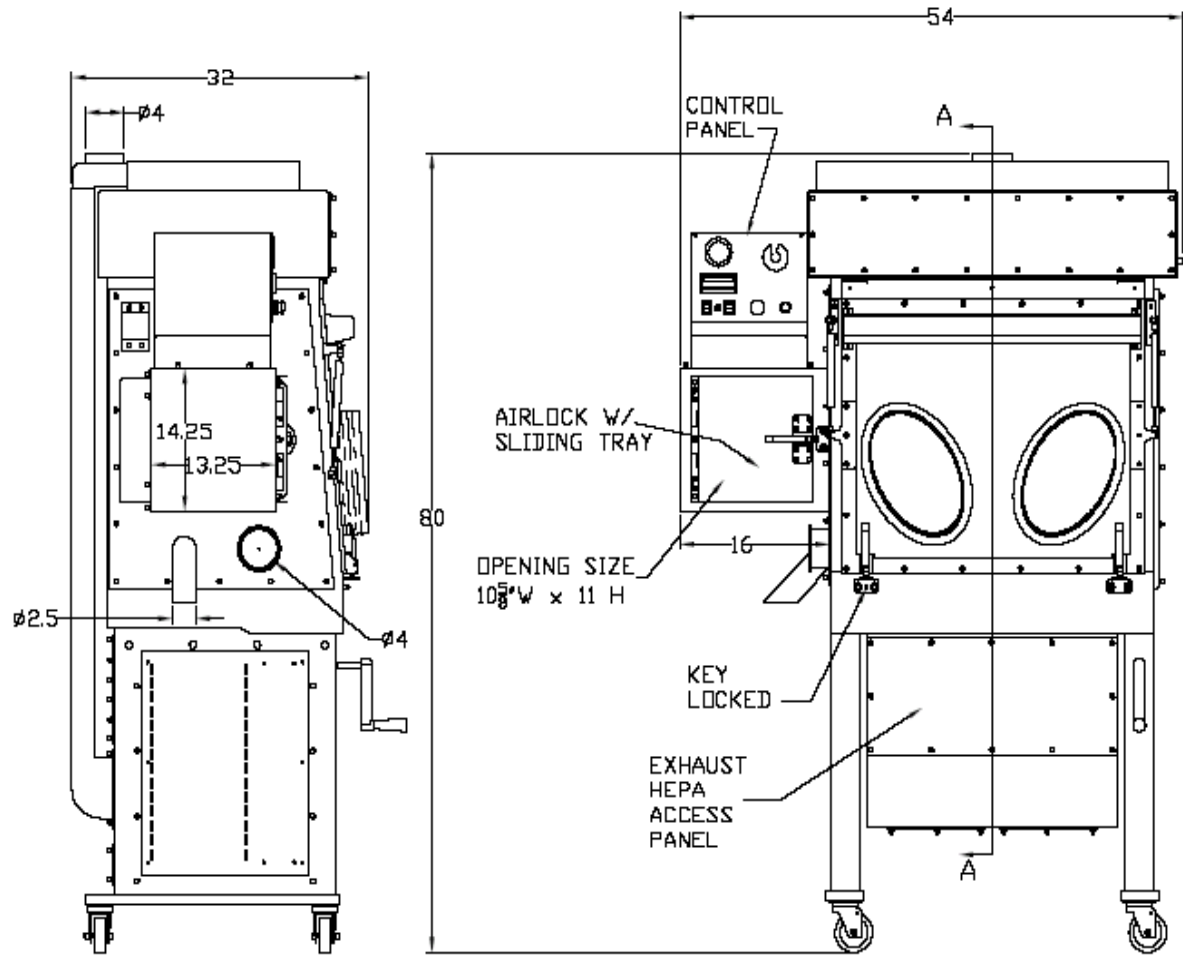
Net Weight- 525 lbs
Shipping Weight- 655 lbs

SECTION III. OPTIONAL EQUIPMENT AND ACCESSORIES-
(CONSULT YOUR SALESPERSON FOR PRICING)

- LFGI-A80 Ergonomic task chair with anti-bacterial and anti-microbial vinyl covering, various colors
- LFGI-A85S Stainless steel cleaning handle with pivot head. Accepts lint- free mop heads (LFGI-A85M)
- LFGI-A8E Electrical Height Adjustment (requires additional plug-in)
- LFGI-A83 Stainless steel garbage can (hangs on side to contain waste bags)
- LFGI-A12 Exhaust ventilation kits

LFGI training DVD and validation documents are also available.

SECTION IV. UNIT DIAGRAM



Made in the USA and available for purchase on the GSA

UNIT SPECIFICATIONS SHEET

LFGI-4USP LAMINAR FLOW GLOVEBOX / ISOLATOR

SECTION I. PERFORMANCE DATA

The Laminar Flow Glovebox/Isolator provides the ultimate in both product and operator protection. The LFGI functions as a Glovebox while operating under negative pressure to meet NIOSH recommendations and as an Isolator under positive pressure to meet USP <797> regulations. HEPA filtered unidirectional (laminar) air bathes the work area to protect the product from contamination and removes any particulate generated by sample manipulation. The operator is provided a complete barrier from materials being manipulated in the work area. The LFGI Series of barrier isolators meet or exceed ISO 14644-1 Class 5 air quality. Each LFGI, before shipping, undergoes rigorous physical testing to assure the unit meets performance requirements as validated. It is required that independent certification be performed before use.

SECTION II. EQUIPMENT SPECIFICATIONS

Construction-

- Overall Dimensions: 66 W (50" W at base) x 32" D x 80" H
- Work Area Dimensions: 46 1/2" W x 24 1/2" D x 29" H
- Designed to fit through standard door openings and elevators.
- All stainless steel construction both inside and out with a pharmaceutical grade finish.
- 316L Stainless steel work trays slide over one another and are removable to facilitate easy clean up under the work deck.
- All viewing panels are stainless steel framed Acrylic
- Front viewing panel is top hinged and self supporting for easy access to the work area for cleaning and equipment ingress.
- All filter diffuser / guard panels are removable for easy cleaning.
- Straight sides and back maximize work area to accommodate the many types and shapes of pharmacy equipment and compounders.
- All corners in work area, antechamber and work surface are easily reached and cleaned.

Antechamber-

- Sealed two-door airlock (16" W x 13 1/2" D x 14 1/4" H) maintains complete environmental separation between work area and ambient conditions.
- HEPA filtered purge of trapped airlock air eliminates cross contamination between the work area and the room during both material ingress and egress.

Waste Removal-

- Trash tube is a 4" diameter tube, flanged for waste bag/container connection and provided with an easily removable seal/stopper to maintain work area containment. (Stainless trash can is available)
- Sharps tube is a straight 2 1/2" diameter tube to facilitate quick drop of the largest syringes and provided with an easily removable seal/stopper to maintain work area containment.
- Fully adjustable sharps container shelf accommodates most commercially available wide mouth or hinged top sharps collectors. (Examples BD Part # 305610 and 305491)

Safety-

- Lock-out handle requiring key for access to work area.
- Digital pressure readout with low pressure alarm for work area.
- Inward/Outward face velocity is 95-100 linear feet per minute at gloveport opening, to protect operator/product during massive breach of containment.
- Glove changes can be made without breaking containment.
- Locking casters are standard, seismic anchors are available.

Ergonomics-

- Hydraulic assist height adjusting stand offers a full 10" range variance allowing operators to sit or stand comfortably for extended time periods.
- Stainless steel sliding tray inside the airlock pulls into the work area eliminating reaching strains.
- Two part sleeve/glove system allows the use of most types and sizes of commercially available gloves for better dexterity and tactility.
- Extra large oval gloveports are placed with bottoms together to provide an anthropometrically correct configuration that accommodates a wide range of body types and increases range of movement.
- Gloveports have a 3" arm rest to reduce operator fatigue.
- Large viewing panel is at an angle to reduce glare and operator strain.
- Integrated foot rest.

Configuration Options-

- Overall work area pressure can be either positive or negative and can be altered in-place by a certifier.
- Antechamber can be left or right handed or can be installed on both sides.
- Waste and sharps removal tubes can be left or right handed or can be installed on both sides.
- Three available exhaust options that can be factory set or changed by a certifier in-place.

Filtration-

- Full framed standard size minipleat HEPA's filter 100% of inlet and exhaust air from both the work area and the antechamber to provide a fully contained environment.
- HEPA filters are full coverage and front loading for easy replacement by a certifier.
- A Prefilter extends the life of the work area supply HEPA filter and can be replaced without tools.

Electrical-

- High capacity motor/blower systems with speed control to extend HEPA filters life.
- Ten foot hospital grade power cord with molded grounded plug.
- Sealed outlet in work area.
- Separate lighted power ON/OFF indicator switches for blower and lighting.
- High efficiency, standard sized fluorescent lights are externally mounted to minimize heat build-up.
- Voltage = 115 Volt, 60 Hz (220/50-60 Hz also available).
- Amperage Rating = 15, Running Amperage = 6

Exhaust-

- Clean air plenum is external to the work area.
- Constructed to allow for optional outside venting of exhaust air.

- Constructed to allow for 3 exhaust options that can be factory set or changed by a certifier in-place
- Venting is not required for operation but is optional.

	No Exhaust- ~100% recycling of air	Total Exhaust- no recycling of air.
Exhaust Connection	N/A	8” OD flexible duct
Exhaust CFM	20	400
Exhaust Static	N/A	Up to 2 inches w.c. (depending upon configuration)

Weight-

Net Weight- 625 lbs

Shipping Weight- 755 lbs

**SECTION III. OPTIONAL EQUIPMENT AND ACCESSORIES-
(CONSULT YOUR SALESPERSON FOR PRICING)**

LFGI-A80 Ergonomic task chair with anti-bacterial and anti-microbial vinyl covering, various colors

LFGI-A85S Stainless steel cleaning handle with pivot head. Accepts lint- free mop heads (LFGI-A85M)

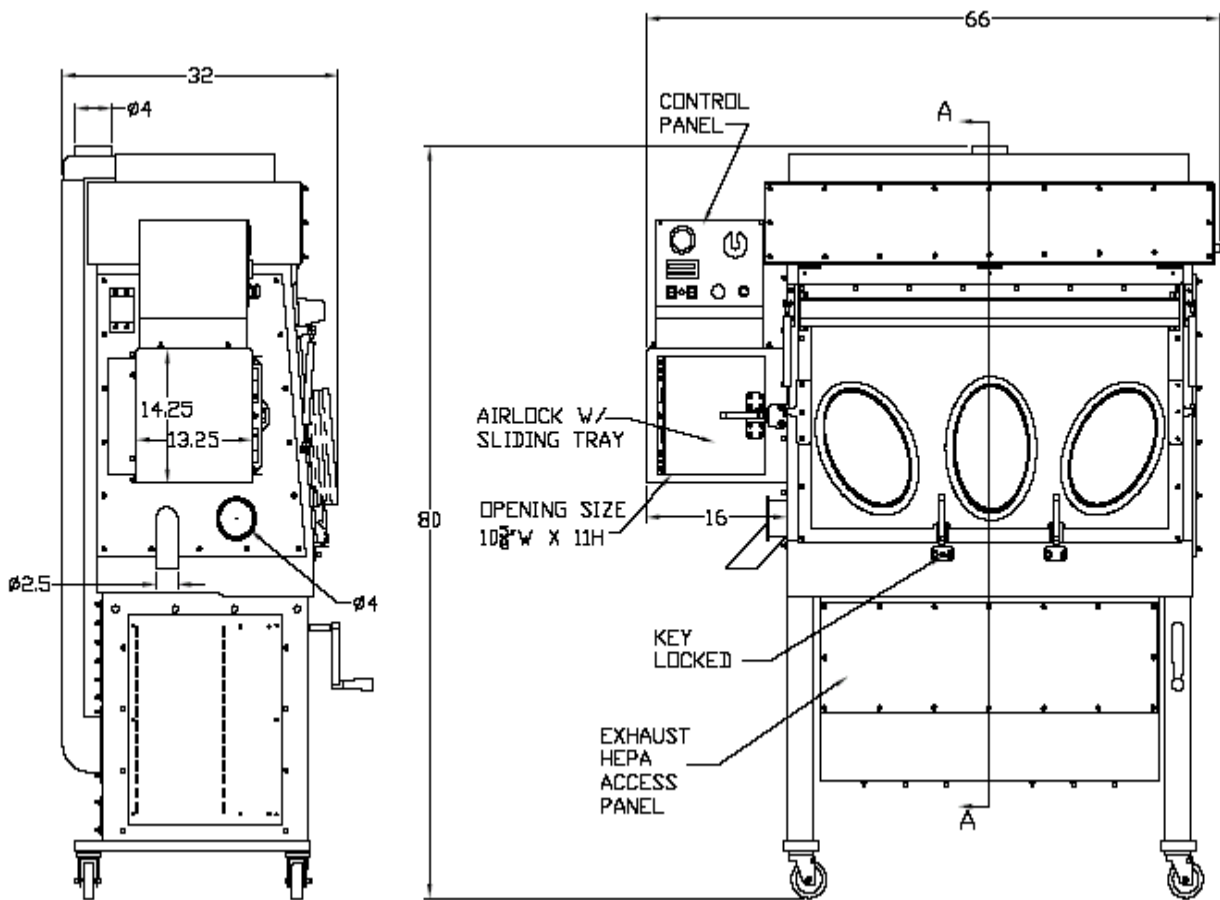
LFGI-A8E Electrical Height Adjustment (requires additional plug-in)

LFGI-A83 Stainless steel garbage can (hangs on side to contain waste bags)

LFGI-A12 Exhaust ventilation kits

LFGI training DVD and validation documents are also available.

SECTION IV. UNIT DIAGRAM



UNIT SPECIFICATIONS SHEET

LFGI-6USP LAMINAR FLOW GLOVEBOX / ISOLATOR

SECTION I. PERFORMANCE DATA

The Laminar Flow Glovebox/Isolator provides the ultimate in both product and operator protection. The LFGI functions as a Glovebox while operating under negative pressure to meet NIOSH recommendations and as an Isolator under positive pressure to meet USP <797> regulations. HEPA filtered unidirectional (laminar) air bathes the work area to protect the product from contamination and removes any particulate generated by sample manipulation. The operator is provided a complete barrier from materials being manipulated in the work area. The LFGI Series of barrier isolators meet or exceed ISO 14644-1 Class 5 air quality. Each LFGI, before shipping, undergoes rigorous physical testing to assure the unit meets performance requirements as validated. It is required that independent certification be performed before use.

SECTION II. EQUIPMENT SPECIFICATIONS

Construction-

- Overall Dimensions: 90" W (74" W at base) x 32" D x 80" H
- Work Area Dimensions: 70 1/2" W x 24 1/2" D x 29" H
- Designed to fit through standard door openings and elevators.
- All stainless steel construction both inside and out with a pharmaceutical grade finish.
- 316L Stainless steel work trays slide over one another and are removable to facilitate easy clean up under the work deck.
- All viewing panels are stainless steel framed Acrylic
- Front viewing panel is top hinged and self supporting for easy access to the work area for cleaning and equipment ingress.
- All filter diffuser / guard panels are removable for easy cleaning.
- Straight sides and back maximize work area to accommodate the many types and shapes of pharmacy equipment and compounders.
- All corners in work area, antechamber and work surface are easily reached and cleaned.

Antechamber-

- Sealed two-door airlock (16" W x 13 1/2" D x 14 1/4" H) maintains complete environmental separation between work area and ambient conditions.
- HEPA filtered purge of trapped airlock air eliminates cross contamination between the work area and the room during both material ingress and egress.

Waste Removal-

- Trash tube is a 4" diameter tube, flanged for waste bag/container connection and provided with an easily removable seal/stopper to maintain work area containment. (Stainless trash can is available)
- Sharps tube is a straight 2 1/2" diameter tube to facilitate quick drop of the largest syringes and provided with an easily removable seal/stopper to maintain work area containment.
- Fully adjustable sharps container shelf accommodates most commercially available wide mouth or hinged top sharps collectors. (Examples BD Part # 305610 and 305491)

Safety-

- Lock-out handle requiring key for access to work area.
- Digital pressure readout with low pressure alarm for work area.
- Inward/Outward face velocity is 95-100 linear feet per minute at gloveport opening, to protect operator/product during massive breach of containment.
- Glove changes can be made without breaking containment.
- Locking casters are standard, seismic anchors are available.

Ergonomics-

- Hydraulic assist height adjusting stand offers a full 10" range variance allowing operators to sit or stand comfortably for extended time periods.
- Stainless steel sliding tray inside the airlock pulls into the work area eliminating reaching strains.
- Two part sleeve/glove system allows the use of most types and sizes of commercially available gloves for better dexterity and tactility.
- Extra large oval gloveports are placed with bottoms together to provide an anthropometrically correct configuration that accommodates a wide range of body types and increases range of movement.
- Gloveports have a 3" arm rest to reduce operator fatigue.
- Large viewing panel is at an angle to reduce glare and operator strain.
- Integrated foot rest.

Configuration Options-

- Overall work area pressure can be either positive or negative and can be altered in-place by a certifier.
- Antechamber can be left or right handed or can be installed on both sides.
- Waste and sharps removal tubes can be left or right handed or can be installed on both sides.
- Three available exhaust options that can be factory set or changed by a certifier in-place.

Filtration-

- Full framed standard size minipleat HEPA's filter 100% of inlet and exhaust air from both the work area and the antechamber to provide a fully contained environment.
- HEPA filters are full coverage and front loading for easy replacement by a certifier.
- A Prefilter extends the life of the work area supply HEPA filter and can be replaced without tools.

Electrical-

- High capacity motor/blower systems with speed control to extend HEPA filters life.
- Ten foot hospital grade power cord with molded grounded plug.
- Sealed outlet in work area.
- Separate lighted power ON/OFF indicator switches for blower and lighting.
- High efficiency, standard sized fluorescent lights are externally mounted to minimize heat build-up.
- Voltage = 115 Volt, 60 Hz (220/50-60 Hz also available).
- Amperage Rating = 15, Running Amperage = 7

Exhaust-

- Clean air plenum is external to the work area.
- Constructed to allow for optional outside venting of exhaust air.

- Constructed to allow for 3 exhaust options that can be factory set or changed by a certifier in-place
- Venting is not required for operation but is optional.

	No Exhaust- ~100% recycling of air	Total Exhaust- no recycling of air.
Exhaust Connection	N/A	8” OD flexible duct
Exhaust CFM	20	600
Exhaust Static	N/A	Up to 2 inches w.c. (depending upon configuration)

Weight-

Net Weight- 825 lbs

Shipping Weight- 955 lbs

SECTION III. OPTIONAL EQUIPMENT AND ACCESSORIES-
(CONSULT YOUR SALESPERSON FOR PRICING)

LFGI-A80 Ergonomic task chair with anti-bacterial and anti-microbial vinyl covering, various colors

LFGI-A85S Stainless steel cleaning handle with pivot head. Accepts lint- free mop heads (LFGI-A85M)

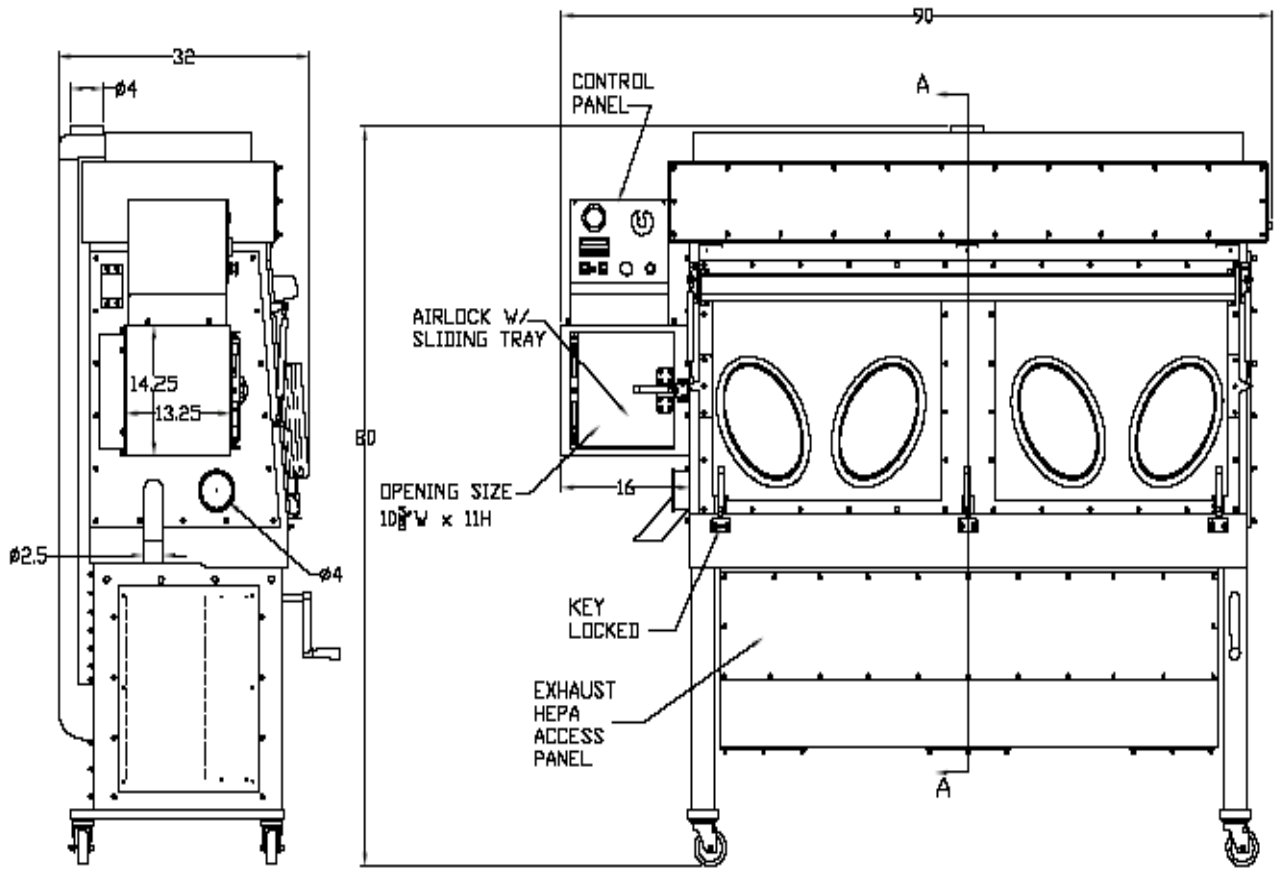
LFGI-A8E Electrical Height Adjustment (requires additional plug-in)

LFGI-A83 Stainless steel garbage can (hangs on side to contain waste bags)

LFGI-A12 Exhaust ventilation kits

LFGI training DVD and validation documents are also available.

SECTION IV. UNIT DIAGRAM



Certification of GERMFREE Laminar Flow Glovebox / Isolator



Models: LFGI 3 USP
 LFGI 4 USP
 LFGI 6 USP

Product Overview

The new LFGI USP Series Laminar Flow Barrier Isolator was introduced in December 2004 and replaces the LFGI ss Rx Series. Both the LFGI and the LFGI USP series provide the operator with an environment suitable to handle both sterile preparations and potentially hazardous pharmacy drugs. The LFGI USP incorporates a more service friendly platform.

The LFGI allows for all service and maintenance functions to be performed from the front of the unit (side access makes the job even easier). The LFGI USP has two Main HEPA filters, which require an integrity test and two airlock HEPA filters that are verified, in-place, with a particle counter. Additionally, supply velocities are measured and overall work area differential pressure is confirmed as part of the certification process.

Basic Operation

Supply air is brought into the unit through the top prefilter and directed through the Supply HEPA filter by a series of backwards-inclined motorized impellers. This unidirectional air moves downward to the work deck then splits to the front and back air grills. Then moves under the work tray and through the exhaust HEPA filter. Next the air is forced by a second set of backwards-inclined motorized impellers up an external air recycle plenum. At the top, air being recycled is split between a 4" duct collar and recycling tip, which directs the recycled air under the prefilter and the cycle continues. Optional Exhaust tips allow for 100% exhaust of air after it passes through the Exhaust HEPA filter, this connection is via an 8" exhaust connection.

Airflow Set Up

To set airflow if work-area is over or under pressure as indicated by digital pressure gauge, unplug the cord going to the exhaust blower, located on the lower rear side of the LFGI and adjust supply speed control, located on the rear of the control panel. For positive pressure operation set supply HEPA filter pressure gauge to 0.50" H₂O, for negative pressure set gauge to 0.35" H₂O for negative pressure unit. Next reconnect exhaust blowers and adjust exhaust speed control, located on the rear of the control panel, to set digital pressure gauge to the proper work-area pressure as indicated above. If further adjustments to the velocity are required, a clockwise adjustment of either speed control will always increase air velocity while each one will have an opposite effect on the work-area pressure. A counterclockwise adjustment (increase motor speed) of the exhaust blowers will lower overall unit pressure while increasing velocity and a clockwise adjustment (decrease motor speed) will lower velocity while increasing work-area pressure. For the supply blower a counterclockwise adjustment (increase motor speed) of the exhaust blowers will increase overall unit pressure while increasing velocity and a clockwise adjustment (decrease motor speed) will lower velocity while decreasing work-area pressure.

Isolator Pressure

Work-area can be positive or negative pressure depending on the customer's desired bias to either clean environment or containment. In either mode the unit provides unidirectional airflow and an ISO class 5 or better air quality. Pressurization should be set to positive (+) 0.09 to 0.125 or negative (-) 0.09 to 0.125, inches of water on the digital pressure gauge marked work-area pressure. This overall pressure will provide greater than 100 fpm into or out of the LFGI USP in the event of a complete glove and sleeve failure, approximately 70 cfm.

Supply Velocity

Average Velocity Range: 45-55 fpm average, all points +/- 25%.

Where: 12" below Diffuser

Grid: Velocity Profile Test Grid 6" from back and sides,
6 3/4" from front
LFGI 3 & 4, 5 5/8" apart left to right, 6" apart front to back
LFGI 6, 6" apart left to right, 6" apart front to back

Note: Above grid measurements made on work tray correspond to proper location at 12" below diffuser.

Particle Counts

The LFGI USP should maintain ISO Class 5 conditions in the work environment regardless of pressurization. To verify, divide the work tray into 1 square foot areas and sample the center of each zone for a minimum of 1 minute per zone.

Filter Integrity

The unit has two main HEPA filters, one above the work zone (supply) and one below (exhaust), see figure 1. The Supply HEPA filter should be scanned with a Photometer while challenged with DOP or equivalent. The aerosol challenge can be introduced to the upstream side of the HEPA filter through the supply blower inlet. An upstream challenge can be read through the port opposite the LFGI control panel by removing the hex head plug. If access to the side of the unit is not possible, the upstream challenge can be read through the port inside the control panel connected to the "supply HEPA filter" pressure gauge. For the exhaust HEPA filter the challenge is introduced into the work area and a mass flow reading should be measured in the air recycle plenum on the back top of the unit. All HEPA filters are 99.99%.



Fig.1 Supply filter access (left) and Exhaust filter access (right)

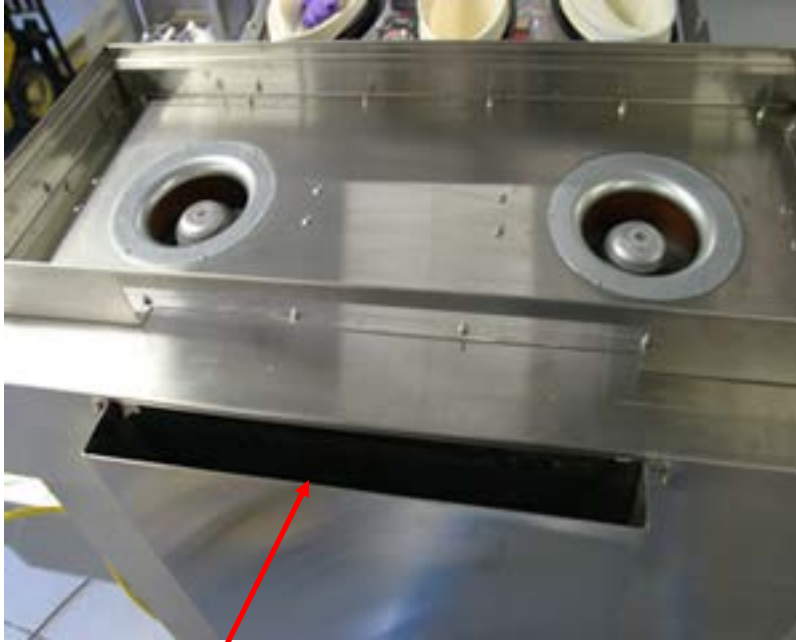
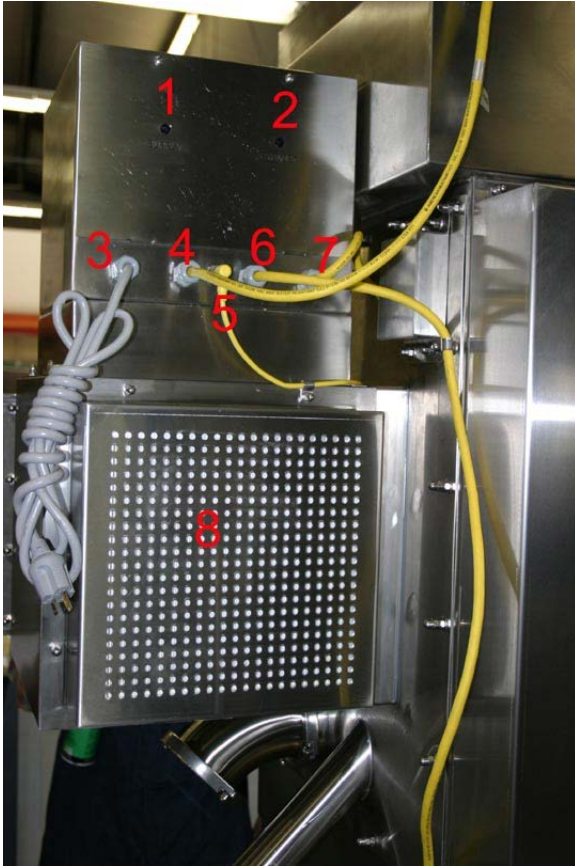


Fig 2 Air recycle plenum (connection tip removed)



Back of the Control Panel

- 1. Supply Blower Control *Certifiers Only*
- 2. Exhaust Blower Control *Certifiers Only*
- 3. Unit Power Cord*
- 4. Supply Blower Power Cord*
- 5. Light Housing Power Cord*
- 6. Exhaust Blower Power Cord*
- 7. Work Area Outlet Power Cord*
- 8. Airlock Supply HEPA Filter Cover*

Replacement Filter Sizes & Part Numbers

LFGI-PF3	LFGI-3USP Prefilter (18x37x1) 12/PKG	PKG
LFGI-HF3S-N	LFGI-3USP Supply HEPA (24x36x3)	EA
LFGI-HF3E-N	LFGI-3USP Exhaust HEPA (12x24x6)	EA
LFGI-PF4	LFGI-4USP Prefilter (18x45.5x1) 12/PKG	PKG
LFGI-HF4S-N	LFGI-4USP Supply HEPA (24x48x3)	EA
LFGI-HF4E-N	LFGI-4USP Exhaust HEPA (12x36x6)	EA
LFGI-PF6	LFGI-6USP Prefilter (18x69.5x1) 12/PKG	PKG
LFGI-HF6S-N	LFGI-6USP Supply HEPA (24x72x3)	EA
LFGI-HF6E-N	LFGI-6USP Exhaust HEPA (12x60x6)	EA
LFGI-HFA-N	LFGI-USP Airlock HEPA (12x12x3)	EA

Pages to follow are the Operations Manual for the Sensocn Differential Pressure Gauge. We strongly recommend that you consult Germfree Customer Support before any adjustments are made.

Germfree has a general access code, 6756. This would unlock the settings if asked. Generally this code is entered at the factory and would remain unlocked.



Installation and Operation Manual

Series A3 and A4 Differential Pressure Controller



Sensocon, Inc.

Phone: (863) 248-2800

Fax: (863) 248-2798

www.sensocon.com

Contents

- 1. Introduction**
 - 1.1. Model Number Configuration
 - 1.2. Specifications
 - 1.3. Dimensional Drawings
- 2. Installation**
 - 2.1. Mounting
 - 2.2. Pressure Connections
 - 2.3. Electrical Connections
- 3. Operation**
 - 3.1. Display
 - 3.2. Key Function
- 4. Programming**
 - 4.1. Menu Structure
 - 4.2. Security Level
 - 4.3. Main Menu
 - 4.4. Set-Up Menu
 - 4.5. Secure Menu
- 5. Other Features**
 - 5.1. Moving Program Variables
 - 5.2. Opti-Link
 - 5.3. Limited Warranty

The Sensocon A3 and A4 series of differential pressure controllers provide control of low differential pressure applications for air and other compatible non combustible gasses. These instruments have a large LED display for pressure indication, a LCD or OLED display for programming and additional LED's to indicate % of output, setpoints and alarm status. The instruments are fully programmable from the key pad face or by utilizing the Opti-Link™ communication port for no touch programming. Options for the instruments include a 4-20 mA output, and improved accuracies. There is also a low cost weatherproof cover available for outdoor applications.

1.1 Model Number Configuration

Example	A3110-06						Description
Model	A						Round Panel Mount Housing
Display		3					LED display, process arch, LCD
		4					LED display, process arch, OLED
Control			1				Control 2 SPDT relays
Transmitter				0			None
				1			4-20 mA
Accuracy				0			1%
				1			0.50%
Range						- 01	0 – 0.50"
						- 02	0 – 1"
						- 03	0 – 2"
						- 04	0 – 3"
						- 05	0 – 4"
						- 06	0 – 5"
						- 07	0 – 8"
						- 08	0 – 10"
						- 09	0 – 15"
						- 10	0 – 20"
						- 11	0 – 30"

1.2 Specifications

Maximum Pressure: Ranges $\leq 4''$ w.c. = 2 PSI; Ranges $\geq 5''$ w.c. = 10 PSI

Media compatibility: Air and compatible non combustible, non corrosive gasses

Accuracy*: Axxx0-xx - 1.00%; Axxx1-xx - 0.50%

Temperature Ranges:

Compensated: -10° to 140°F (-23° to 60°C)

Operating: -10° to 140°F (-23° to 60°C); A3: 10° to 140°F (-12° to 60°C)

Thermal Effect*: +/- 0.012% FS/°F

Output Signal: 4-20 mA (option)

Loop Resistance: 750 Ω Max (for internally sourced power); 1800 Ω Max (for externally sourced power of 36 VDC)

Power Supply: Universal 16-265 VAC or VDC

Housing Material: Glass Filled Nylon

Enclosure Rating: Designed to meet NEMA 4X face; with optional cover the entire product is weatherproof

Relays: (2) SPDT 8 Amps @ 250 VAC, 5A @30 VDC

Electrical Connections: screw terminals

Response Time: <100 ms

Display: 4 Digit, red LED, 1/2" digits; LCD or OLED programming display

Process Connection: Push on connection for 3/16" tubing

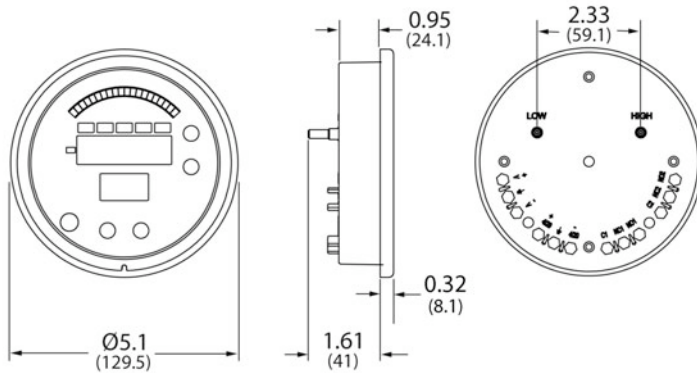
Agency Approvals: Pending – UL, C-UL, CE

Patents Pending

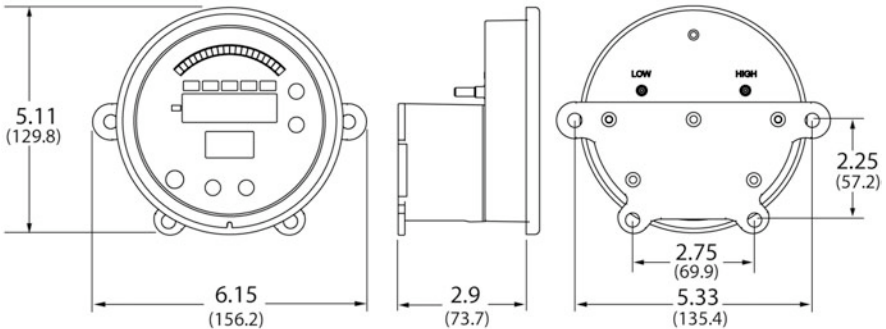
* Custom calibrations including improved accuracy and improved thermal effect are available.

1.3 Dimensional Drawings

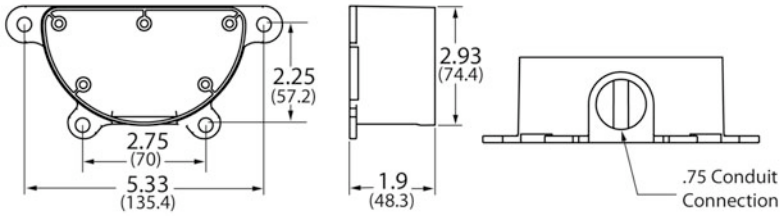
Series A3 and A4



Series A3 and A4 with optional weatherproof cover

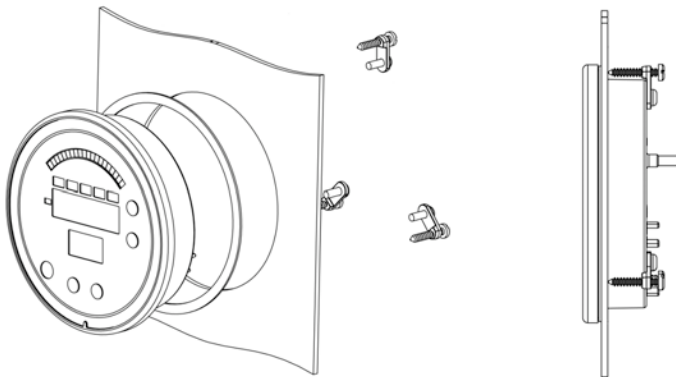


Optional weatherproof cover

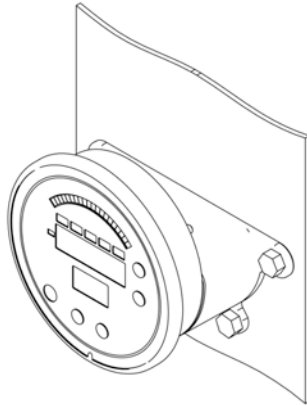


2.1 Mounting

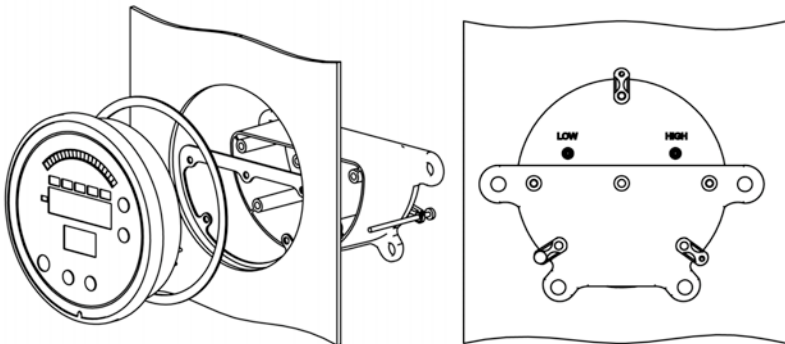
Flush Mounting – For new applications, cut a $4 \frac{9}{16}$ ” hole in the panel. Insert the control with the provided gasket through the hole and secure it to the panel with the provided mounting tabs and screws. Retrofitting old technology is also easy with the Series A3 and A4. They have been designed to fit in industry standard holes ranging from $4 \frac{9}{16}$ ” to $4 \frac{13}{16}$ ” so simply remove the old device and insert the new control into the existing cut out.



Surface Mounting – Surface mounting the Series A3 or A4 requires the optional weather proof cover. Once the control is wired and the weather proof cover has been attached, the control can be mounted to any flat surface with the four mounting screws provided with the cover.



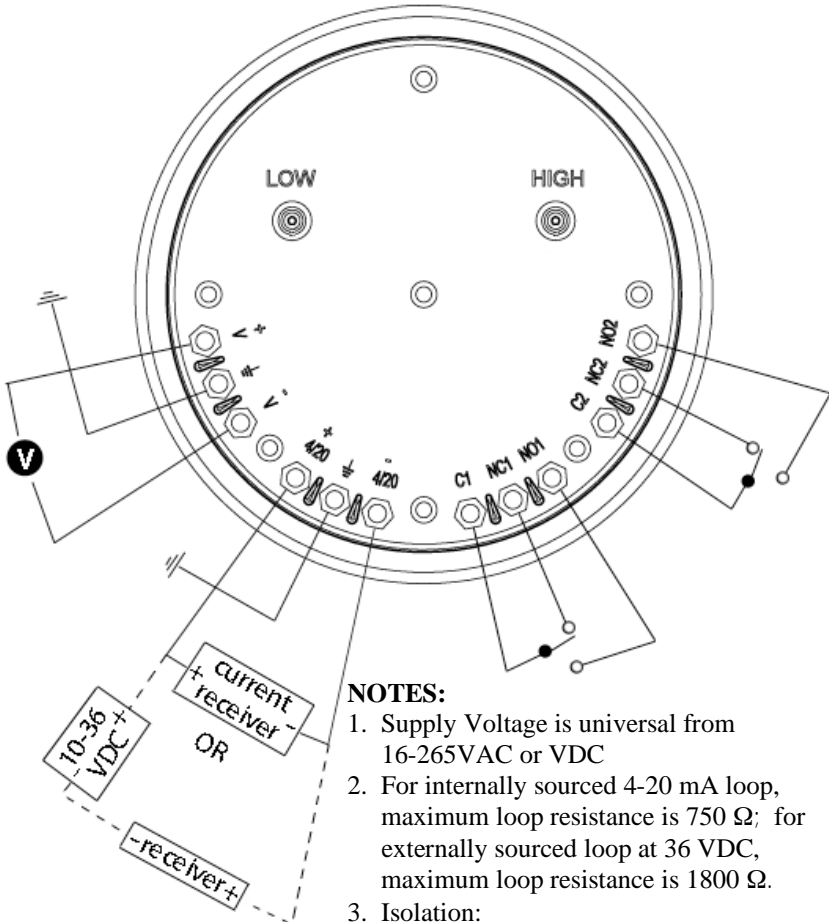
Flush Mounting with Weather Proof cover – The Series A3 and A4 can also be flush mounted with a weather proof cover. The procedure is the same as above, but utilizes two extra long mounting screws (provided with the weather proof cover) for the bottom two panel connections.



2.2 Pressure Connections

Two 3/16" pressure connections are located on the back of the unit, labeled "High" and "Low". For best results, connect 3/16" I.D. push on tubing to the pressure connections. If the High connection has a greater absolute value than the Low connection, the front display will give a positive value. If the HI connection has a lower absolute value than the LO connection, the front display will give a negative value.

2.3 Electrical Connections

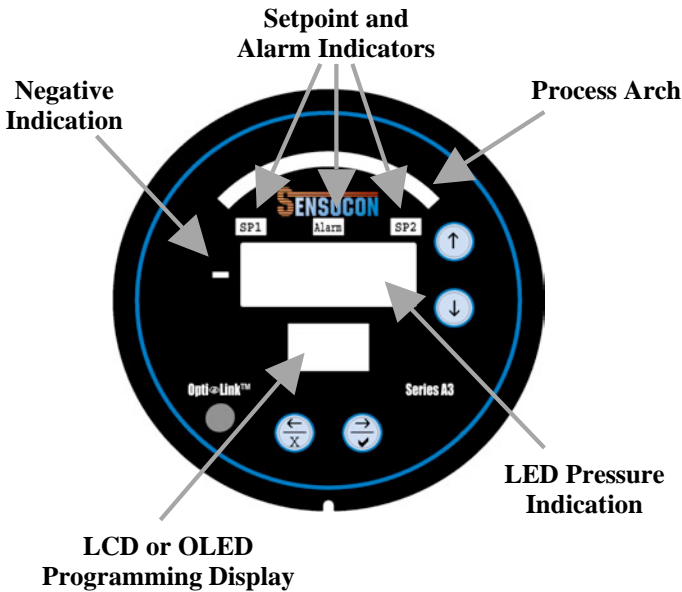


NOTES:

1. Supply Voltage is universal from 16-265VAC or VDC
2. For internally sourced 4-20 mA loop, maximum loop resistance is 750 Ω ; for externally sourced loop at 36 VDC, maximum loop resistance is 1800 Ω .
3. Isolation:
Relays: 1000 VAC to all other inputs and outputs
4-20 mA: 5000 VAC to all other inputs and outputs.

3.1 Display

The series A3 and A4 were designed to give the user maximum feedback and flexibility. The process arch LED's are designed to mimic the indicating needle of a mechanical gauge. The process arch will light up from left to right as the pressure moves away from zero. Negative pressure will be indicated by the negative sign before the numerical indication. The 4 digit LED displays the numerical pressure reading and will show either 3 or 4 digits based on the users preference. The LCD (or OLED) display is used for programming and displaying the unit of measure and up to 4 other user selected program parameters. The LED indicators for SP1, SP2, and Alarm give indication when the parameter is in the actuated state.



3.2 Key Function

The A3 and A4 have four buttons located on the face of the control used for programming. There is an up arrow, a down arrow, a left arrow/cancel, and a right arrow/accept button as shown below.



up arrow



down arrow



left arrow / cancel



right arrow / accept

To move from one program menu to another, hold the up arrow or down arrow for one second to move up or down one menu level. The control will start in the “Main” menu, one level up is the “Set-up” menu, and one more level up is the “Secure” menu.

The up and down arrows are used to navigate up and down through the parameters in each menu. To change a parameter, use the up and down arrows until the parameter is highlighted, then press the right arrow. This will advance you to another screen where you can change the parameter. There are two different types of parameter change screens, 1) you select a given option or 2) you change a numerical value. To change a number, the left and right arrows are used to select the digit you would like to change, the up and down arrow will increase or decrease the value by the amount selected. Once you have made the change, you can accept the change by holding the accept button for three seconds, this will accept the change and take you back to the menu you were currently in. At any point while in a parameter change screen, you can hold the cancel button for one second to return to the previous menu without accepting a change to that parameter.

To manually reset the alarm after an alarm condition has occurred (if this feature is used) hold the right and left arrows simultaneously until the alarm resets.

4.1 Menu Structure

The factory default menu structure for all of the available variables is shown in the below table. Based on the user selections in the Set-up Menu, some of the variables may not be visible. It is also possible to change the menu structure by moving variables from one menu to another (see Moving Program Variables).

Menu	Variable	Code	Setting
Main Menu	➡ Set Point 1 Low	SP1 lo	⇒ <i>value</i>
	➡ Set Point 1 High	SP1 hi	⇒ <i>value</i>
	➡ Set Point 1	SP1	⇒ <i>value</i>
	➡ Set Point 1 db	SP1 db	⇒ <i>value</i>
	➡ Set Point 2 Low	SP2 lo	⇒ <i>value</i>
	➡ Set Point 2 High	SP2 hi	⇒ <i>value</i>
	➡ Set Point 2	SP2	⇒ <i>value</i>
	➡ Set Point 2 db	SP2 db	⇒ <i>value</i>
	➡ Alarm Low	AL lo	⇒ <i>value</i>
➡ Alarm High	AL hi	⇒ <i>value</i>	
Set-up Menu	➡ Control	Ctrl	⇒ 1 SP / 2 SP / SPAL / AL
	➡ Set Point 1 Setting	Set 1	⇒ db / lohi

	↻ Actuation 1	1 act	⇨ dir / rev
	↻ Set Point 1 Delay	SP1 D	⇨ <i>value</i>
	↻ Set Point 2 Setting	Set 2	⇨ db / lohi
	↻ Actuation 2	2 act	⇨ dir / rev
	↻ Set Point 2 Delay	SP2 D	⇨ <i>value</i>
	↻ Alarm	AL	⇨ lo / hi / hilo
	↻ Alarm Reset	AL Rs	⇨ Manual / Auto
	↻ Alarm Inhibit	AL ih	⇨ Off / On
	↻ Alarm Delay	AL D	⇨ <i>value</i>
	↻ Peak	Peak	⇨ <i>value</i>
	↻ Valley	Valy	⇨ <i>value</i>
	↻ Mode	Mode	⇨ Pres / Vel / Flow
	↻ Units	Units	⇨ inWc / mmWc / cmWc / Pa / kPa / PSI / inHg / mmHg / mBAR / ftWc / oz in / SFPM / M/S / SCFM / M3/S
	↻ Resolution	Res	⇨ 3 dig / 4 dig
	↻ Display	Dis	⇨ std / pct
	↻ Dampening	Damp	⇨ <i>value</i>
	↻ Screen Saver	Saver	⇨ Off / On
	↻ Contrast	Contr	⇨ N-lo / N-med / N-hi / I-lo / I-med / I-hi
	↻ K Factor	Kfact	⇨ <i>value</i>
	↻ Duct Shape	Xsect	⇨ circ / rect
	↻ Duct Diameter	diam	⇨ <i>value</i>
	↻ Duct Width	X dim	⇨ <i>value</i>
	↻ Duct Height	Y dim	⇨ <i>value</i>
Secure Menu	↻ Zero	Zero	⇨ Reset
	↻ Span	Span	⇨ <i>value</i> - Reset
	↻ Access	Access	⇨ Main / Set-up / Secure / none
	↻ Factory Default	Reset	⇨ No / Yes
	↻ Process Output Lo	pol	⇨ <i>value</i>
	↻ Process Output Hi	poh	⇨ <i>value</i>
	↻ Current Power source	P/S	⇨ Off / On

4.2 Main Menu

The parameters shown in the Main Menu will be dictated by the Control type selected in the Set-Up Menu. The parameters in the Main Menu will also be displayed on the LCD during normal operation if Screen Saver is set to Off. The value chosen for each set point will determine the switch point for that respective

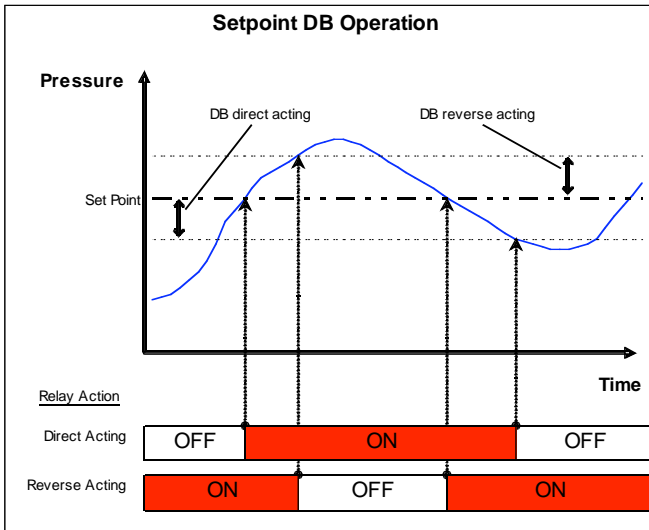
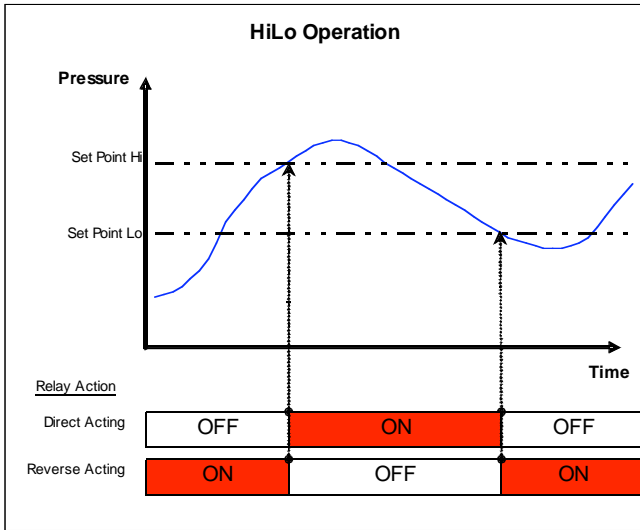
variable. Below are the possible parameters that would be shown with the factory default program.

- ⇒ **Set Point 1 Low** (*SP1 lo*)
- ⇒ **Set Point 1 High** (*SP1 hi*)
- ⇒ **Set Point 1** (*SP1*)
- ⇒ **Set Point 1 Deadband** (*SP1 db*)
- ⇒ **Set Point 2 Low** (*SP2 lo*)
- ⇒ **Set Point 2 High** (*SP2 hi*)
- ⇒ **Set Point 2** (*SP2*)
- ⇒ **Set Point 2 Deadband** (*SP2 db*)
- ⇒ **Alarm Low** (*AL lo*)
- ⇒ **Alarm High** (*AL hi*)

* To change the displayed parameters on the LCD during normal operation, see Moving Program Variables (section 5.1).

4.3 Set-Up Menu

- ⇒ **Control** (*Ctrl*) – Selection of the control type will determine which parameters are or are not available in the remainder of the Set-up Menu as well as the Main Menu. Example: If 1 Set Point is selected, there will be no parameters for Set Point 2 or Alarm in the programming.
 - ⇒ 1 Set Point (1SP) – For control with one SPDT relay
 - ⇒ 2 Set Point (2SP) – For control with two independent SPDT relays
 - ⇒ Set Point Alarm (SPAL) – For control with one SPDT relay and one alarm relay
 - ⇒ Alarm (AL) – For alarm operation only
- ⇒ **Set Point Settings** (*Set 1 & Set 2*) – Each set point can be entered as a high and low value for the turn on and off point or as an set point and a floating dead band. Low High operation is best suited for applications that have a set turn on and turn off point. Set Point Deadband is suited for application that may require changing the set point from time to time but the deadband will always remain the same. The below graphs illustrate the differences.
 - ⇒ Low High (lohi) – For a high and low set point
 - ⇒ Set Point Deadband (SP db) – For a set point and floating dead band



⇒ **Actuation (1 act & 2 act)** – The actuation parameter determines whether the relays will react to increasing or decreasing pressure. This parameter also affects the status of the LED indicators on the front of the gauge. The above graphs illustrate the differences.

⇒ Direct – The relays turn on with increasing pressure

⇒ Reverse – The relays turn on with decreasing pressure

- **Set Point Delay (SP1 D & SP2 D)** – This variable sets the minimum amount of time that the process must be above or below the set point for the switch state to actuate.

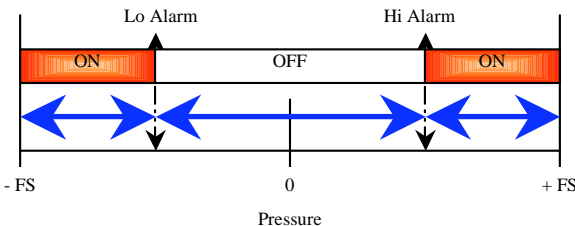
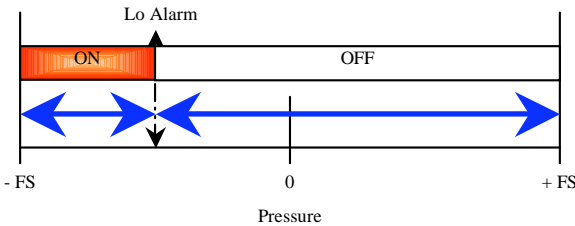
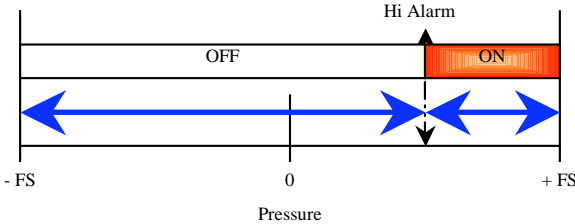
⇒ value – Time in seconds

- **Alarm (AL)** – There are three different alarm types that can be selected, high alarm, low alarm, or high and low alarm. The high alarm will actuate the relay when the process is above the high alarm set point. The low alarm will actuate the relay when the process is below the low alarm set point. The high and low alarm can be used together so the alarm relay is actuated when the process is above or below the high alarm and low alarm set points respectively. The selection will dictate which alarm parameters are shown in the Main Menu. The below figure shows the three alarm types.

⇒ High Alarm (hi) – High alarm

⇒ Low Alarm (lo) – Low alarm

⇒ High Low Alarm (hilo) – High and low alarm



- **Alarm Reset (AL Rs)** – In the case of an alarm condition, the control can be configured to automatically reset when the alarm condition goes away or to

require a manual reset by holding the left arrow and right arrow simultaneously on the face of the control.

- ⇒ Automatic (Auto) – For automatic reset
- ⇒ Manual (Manual) – For manual reset

- ☞ **Alarm Inhibit (AL ih)** – This parameter allows the user to suspend the alarm during power up until the process moves through the low alarm set point. If alarm inhibit is off, and the control is in an alarm condition at power up it will alarm and possibly require manual reset.

 - ⇒ On (On) – Alarm Inhibit is on
 - ⇒ Off (Off) – Alarm Inhibit is off
- ☞ **Alarm Delay (AL D)** – This variable sets the minimum amount of time that the process must be above or below the alarm before the switch state alarms.

 - ⇒ value – Time in seconds
- ☞ **Peak (Peak)** – The peak is the highest value the control has reached since the last time it was reset.

 - ⇒ value – Allow the user to manually reset the value.
- ☞ **Valley (Valy)** – The valley is the lowest value the control has reached since the last time it was reset.

 - ⇒ value – Allows the user to manually reset the value.
- ☞ **Mode (Mode)** – The control is capable of measuring and displaying pressure, velocity, or flow. For velocity and flow, a flow sensing device such as a pitot tube, or orifice plate with a know flow coefficient is required. For flow, it is also necessary to know the dimensions of the duct that the flow is being measured in so the control can calculate the area.

 - ⇒ Pressure (Pres) – To display and control pressure
 - ⇒ Velocity (Vel) – To display and control velocity
 - ⇒ Flow (Flow) – To display and control flow
- ☞ **Units (Units)** – The engineering units selected will be displayed on the LCD during programming and normal operation of the control. The unit of measure selected will be used for displaying the pressure, velocity or flow reading as well as all programming variables. If the units are changed after programming has occurred, all values will automatically be changed to the correct corresponding value of the new unit of measure. The unit conversion equivalents are shown in the below table.

Pressure

 - ⇒ (inWc) – Inches of water column
 - ⇒ (mmWc) – Millimeters of water column
 - ⇒ (cmWc) – Centimeters of water column
 - ⇒ (Pa) – Pascals

- ⇒ (kPa) – Kilopascals
- ⇒ (PSI) – Pounds per square inch
- ⇒ (inHg) – Inches of mercury
- ⇒ (mmHg) – Millimeters of mercury
- ⇒ (mBAR) – Millibars
- ⇒ (ftWc) – Feet of water column
- ⇒ (oz in) – Ounce inches
- Velocity** **
- ⇒ (SFPM) – Standard feet per minute
- ⇒ (M/S) – Meters per second
- Flow** **
- ⇒ (SCFM) – Standard cubic feet per minute
- ⇒ (M3/S) – Cubic meters per second

*The displayed reading is based on standard conditions – dry air at 70° F and a barometric pressure of 29.92 inches of mercury.

**The control will automatically switch to x10 or x100 for velocity or flow when the reading exceeds four digits. This will be indicated on the LED by alternating the flow or velocity reading with the “α10” or “α100” symbol. The maximum displayed velocity or flow will be 9999 x100 regardless of units.

Maximum Displayed Pressures

inWc	ftWc	mmWc	cmWc	PSI	inHg	mmHg	mBAR	Pa	kPa	oz in
0.250	0.021	6.350	0.635	0.009	0.018	0.467	0.623	62.27	0.062	0.145
0.500	0.042	12.70	1.270	0.018	0.037	0.934	1.245	124.5	0.125	0.289
1.000	0.083	25.40	2.540	0.036	0.074	1.868	2.491	249.1	0.249	0.578
2.000	0.167	50.80	5.080	0.072	0.147	3.737	4.982	498.2	0.498	1.156
3.000	0.250	76.20	7.620	0.108	0.221	5.605	7.473	747.3	0.747	1.734
4.000	0.333	101.6	10.16	0.145	0.294	7.473	9.964	996.4	0.996	2.312
5.000	0.417	127.0	12.70	0.181	0.368	9.342	12.45	1245	1.245	2.890
8.000	0.667	203.2	20.32	0.289	0.588	14.95	19.93	1993	1.993	4.624
10.00	0.833	254.0	25.40	0.361	0.736	18.68	24.91	2491	2.491	5.780
15.00	1.250	381.0	38.10	0.542	1.103	28.02	37.36	3736	3.736	8.671
20.00	1.667	508.0	50.80	0.723	1.471	37.37	49.82	4982	4.982	11.56
30.00	2.500	762.0	76.20	1.084	2.207	56.05	74.73	7473	7.473	17.34

- ⇒ **Resolution (Res)** – The pressure reading on the LED display can be shown with 3 or 4 digits. In some cases, the fourth digit is outside of the accuracy of the product and insignificant. If the fourth digit is used and is insignificant, there may be fluctuations in that digit.
 - ⇒ 3 Digit (3 dig) – 3 digit display
 - ⇒ 4 Digit (4 dig) – 4 digit display
- ⇒ **Display (Dis)** – In addition to the selectable units for pressure, velocity, and flow, the display can also be configured to read as a percent output.
 - ⇒ Standard (std) – Displays selected engineering unit
 - ⇒ Percent (pct) – Displays 0-100% instead of the selected engineering unit

- **Dampening (Damp)** – The control takes a pressure sample every 100 milliseconds. The dampening coefficient tells the control how many readings to average for the displayed value. Displaying readings with too few samples averaged may cause unstable readings as a result of vibration or pressure fluctuations.
 - ⇒ value – Number of samples averaged for the displayed value

- **Screen Saver (Saver)** – When the control is in normal operation the screen saver displays only the units of measure on the LCD or OLED display. When the screen saver is in use, touching any button on the face of the control will display the main menu. If turned off, the programming screen will display the parameters in the main menu.
 - ⇒ Off (Off) – Turns the screen saver function off
 - ⇒ On (On) – Turns the screen saver function on

WARNING: NOT USING THE SCREEN SAVER WITH THE SERIES A4 MAY CAUSE THE OLED DISPLAY TO BURN IN.

- **Contrast (Contr)** – This allows the image and contrast of the programming display to be adjusted.
 - ⇒ Normal low (N-lo) – Normal image, low contrast
 - ⇒ Normal medium (N-med) – Normal image, medium contrast
 - ⇒ Normal high (N-hi) – Normal image, high contrast
 - ⇒ Inverted low (I-lo) – Inverted image, low contrast
 - ⇒ Inverted medium (I-med) – Inverted image, medium contrast
 - ⇒ Inverted high (I-hi) – Inverted image, high contrast
- **K Factor (Kfact)** – For flow and velocity, it is necessary to enter the flow coefficient of the flow sensing device you are using (pitot tube, orifice plate, etc.). This value should be specified by the manufacturer of the device.
 - ⇒ value – coefficient (0.01 to 99.99)
- **Duct Shape (Xsect)** – For flow measurement, it is necessary to calculate the area of the duct where the measurement is being taken. The first step is to determine the shape of the duct.
 - ⇒ Rectangle (rect) – For a rectangular or square duct
 - ⇒ Circle (circ) – For a circular duct
- **Duct Diameter (diam)** – For circular ducts, enter the diameter for the area calculation.
 - ⇒ value – Diameter in inches (or meters)
- **Duct Width & Height (X dim, Y dim)** – For rectangular ducts, enter the width and height for the area calculation.
 - ⇒ value – Height and width in inches (or meters)

4.4 Secure Menu

- ☞ **Zero (Zero)** – This is a calibration parameter that allows re-calibration of zero. To re-zero the control, disconnect both pressure connections so they are open to atmospheric pressure and reset the value by holding the accept key.

 - ⇒ Cancel (Cancel) – This cancels the zero operation
 - ⇒ Reset (Reset) – This will reset the zero point of the control
Zero pressure must be maintained during the zero operation.

- ☞ **Span (Span)** – This is a calibration parameter that allows re-calibration of the span. To re-span the control, first enter the full scale pressure value you will be calibrating to, then apply that pressure to the high pressure port and reset the value by holding the accept key.

 - ⇒ value / Accept – This will reset the span of the control
The pressure must be maintained at the set value during the span operation.

- ☞ **Security Access (Access)** – This parameter allows you to prevent users from accessing menus to prevent tampering. Once this parameter is set, a security code must be entered to regain access to the locked menus as shown in the below table. This feature can be used in conjunction with “moving program variables” (section 5.1) to grant or restrict access to specific variables.

 - ⇒ Secure menu (Secure) – Selecting Secure will give the user access to all menus.
 - ⇒ Set-up menu (Set-up) – Selecting Set-Up will give the user access to the Main menu and the Set-up menu.
 - ⇒ Main menu (Main) – Selecting Main will allow access only to the main menu.
 - ⇒ No menus (none) – Selecting none will allow the user to view parameters only in the main menu, but they will not be able to make any changes.

Security Code Table

Menu	Security Code
Main	2312
Set-up*	4534
Secure**	6756

* Entering the security code for Set-up will also give access to Main

** Entering the security code for Secure will give access to all Menus

- ☞ **Factory Default (Reset)** – By performing a Factory Default, the control will be configured back to the original factory settings. This includes set values and menu structure.

 - ⇒ Cancel (Cancel) – This cancels the factory default
 - ⇒ Reset (Reset) – This accepts the factory default and resets the control

- **Process Output Low (*pol*)** – This parameter allows the 4-20 mA output to be scaled. The value set for this parameter will correspond to the 4 mA output. The default setting will be 0, but can be set at any value lower than Output High.
 - ⇒ value – The pressure that corresponds to the 4 mA output signal
- **Process Output High (*poh*)** – This parameter allows the 4-20 mA output to be scaled. The value set for this parameter will correspond to the 20 mA output. The default setting will be the full scale pressure reading of the control, but can be set at any value higher than Output Low.
 - ⇒ value – The pressure that corresponds to the 20 mA output signal
- **Current Power Source (*P/S*)** – This parameter allows the power for the 4-20 mA loop to be sourced internally by the control or externally.
 - ⇒ On (On) – Power will be sourced by the control
 - ⇒ Off (Off) – External power will be required for the current loop

5.1 Moving Program Variables

The programming menu can be fully customized by the user. Parameters can be moved from one menu to another. This allows the user to reorganize the menu structure to better fit their needs or to put unused or unwanted parameters in one menu and then lock that menu so that those variables can not be accessed.

To move a program parameter to another menu, highlight the parameter to be moved and hold down the left arrow for one second and the following screen will appear:

- **New Menu**
 - ⇒ Main – Moves the parameter to the Main menu
 - ⇒ Setup – Moves the parameter to the Set-up menu
 - ⇒ Secure – Moves the parameter to the Secure menu

Select the menu you would like the parameter to be moved to and press accept.

5.2 OptiLink™

OptiLink™ is an infrared communications technology that allows the user to upload and download program parameters from one unit to another with a programming key. By using the PK-01 universal programming key, the user may program one unit, download those parameters to the universal programming key and then upload that same program from the key to other controls. By using a

PK-02 lockout programming key, a user may completely lock (or unlock) the face keypad of the control to eliminate the possibility of unwanted tampering of the control.

To download programs from a control to a programming key, place the key within 1 to 6 inches of the OptiLink™ port on the control and hold the two outside buttons simultaneously until the numeric LED on the control turns off. The programming key must stay within the 1 to 6 inch range while the download is in progress. During the operation, the Process Arch on the control will give the status of the download. When the download is complete, the programming key will blink green twice to indicate the program is stored on the programming key.

To upload programs from a programming key to a control, place the key within 1 to 6 inches of the OptiLink™ port on the control and hold the center button until the numeric LED on the control turns off. The programming key must stay within the 1 to 6 inch range while the download is in progress. During the operation, the Process Arch on the control will give the status of the download. When the upload is complete, the control will read “yes” to indicate the program has been successfully uploaded to the control.

5.3 Limited Warranty

LIMITED WARRANTY

SENSOCON warrants its products to be free from defects in materials and workmanship for a period of one (1) year from the date of shipment, subject to the following terms and conditions: Without charge, SENSOCON will repair, replace, or refund the purchase price at SENSOCON's option products found to be defective in materials or workmanship within the warranty period; provided that:

- i. the product has not been subjected to abuse, neglect, accident, incorrect wiring not our own, improper installation or servicing, or use in violation of labels or instructions provided by SENSOCON;
- ii. the product has not been repaired or altered by anyone except SENSOCON;
- iii. the maximum ratings label and serial number or date code have not been removed, defaced, or otherwise changed;
- iv. examination discloses, in the judgment of SENSOCON, the defect in materials or workmanship developed under normal installation, use and service; and
- v. SENSOCON is notified in advance of and the product is returned to SENSOCON transportation prepaid before expiration of the warranty period.

THIS EXPRESS LIMITED WARRANTY IS IN LIEU OF AND EXCLUDES ALL OTHER REPRESENTATIONS MADE BY ADVERTISEMENTS OR BY AGENTS AND ALL OTHER WARRANTIES, BOTH EXPRESS AND IMPLIED. THERE ARE NO IMPLIED WARRANTIES OF MERCHANTABILITY OR OF FITNESS FOR A PARTICULAR PURPOSE FOR GOODS COVERED HEREUNDER.