

ActiveCountRp

VIABLE IMPACTOR SYSTEM WITH PUMP



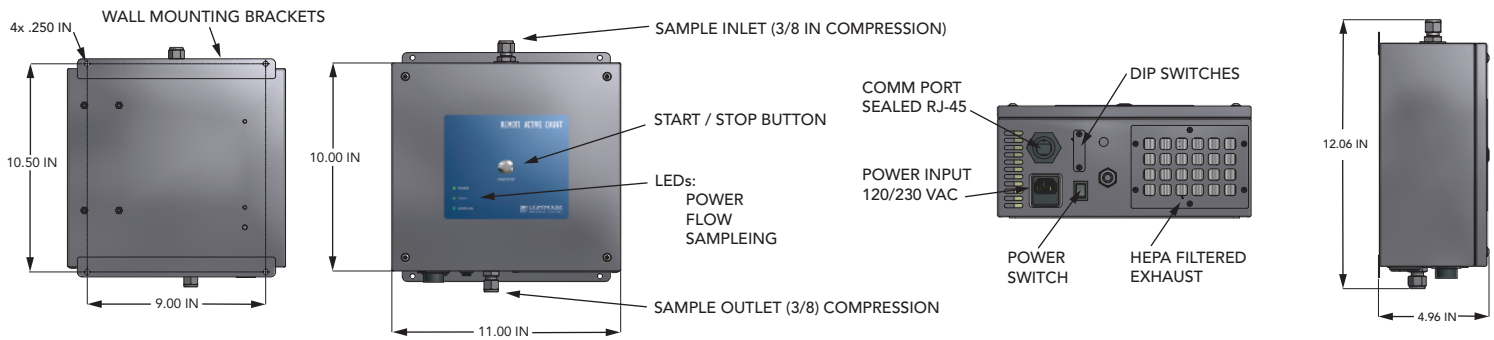
LIGHTHOUSE designed the ActiveCountRp system to meet the industry need for continuous trouble-free operation and flexible running parameters. The ActiveCountRp has an integrated vacuum pump with closed loop feedback to ensure proper sample volumes. The sampling head can be mounted directly to the top of the unit or remote mounted closer to critical areas.

The ActiveCountRp has a sample rate of 1 CFM and HEPA filtered exhaust. The viable impactor head comes preconfigured attached to the top of the ActiveCountRp or it can be extended with sample tubing to a remote location closer to critical areas.



FEATURES

- Meets ISO 14698 impaction efficiency.
- 1 CFM flow rate.
- Local or remote start/stop control via software.
- HEPA filtered exhaust.
- Stainless steel enclosure.
- 316L stainless steel sampling heads.
- LED status indicators for power, flow and sampling.
- Designed for reliability.
- 2 year warranty.



TECHNICAL DATASHEET

ActiveCountRp Viable Impactor System With Pump

Features

Flow rate	1 CFM.
Sampling Methodology	Impaction principle.
Communication Modes	RS-485 Modbus.
LED Indicators	Power, flow, sampling.
User Interface	Manual Start / Stop; Control Software (LMS Pharma, LMS Pro)
Communication Connectors	Sealed industrial RJ45
Enclosure	Stainless steel
Sample Outlet Connection	3/8 compression.
Vacuum Source	Internal closed loop controlled pump with HEPA filtered exhaust.
Power	100-240 VAC, 50-60 Hz; 24 VDC.
Dimensions	11" (w) x 11" (h) x 5" (d) [27.94 x 27.94 x 12.7 cm]
Weight	15.1 lbs. (6.8 kg).

Environmental Conditions

Operating	50° F to 104° F (10° C to 40° C) / 20% to 95% non-condensing.
Storage	14° F to 122° F (-10° C to 50° C) / Up to 98% non-condensing.

Accessories

Included	Installation guide on CD; power cord, sample tubing, industrial RJ45 connector kit.
Optional	Printed installation guide; LMS Express, Express RT software, LMS Pharm software, LMS Pro software.

Distributed By:



Lighthouse Worldwide Solutions reserves the right to change specifications without notice.

www.golighthouse.com
info@golighthouse.com

1-800 945 5905 (Tollfree)
 1-541 770 5905 (Outside of USA)

 **LIGHTHOUSE**
 WORLDWIDE SOLUTIONS