

ActiveCount

M I C R O B I A L S A M P L E R S



The ActiveCount family is a set of high performance portable active air samplers suitable for use in cleanrooms and aseptic environments. They offer self-adjusting flow control to ensure accurate sampling, as well as continuous and periodic sampling modes for optimum sampling flexibility.

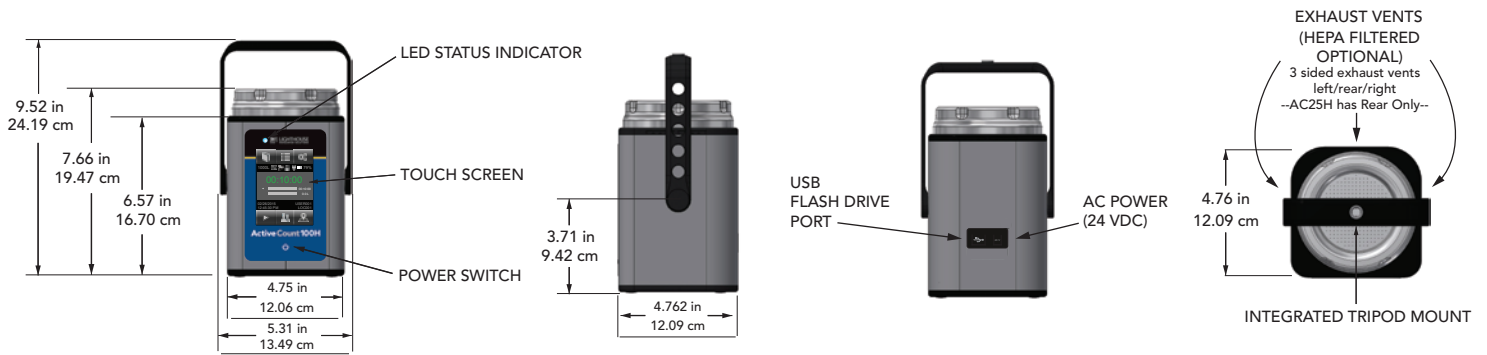
ActiveCount100H and ActiveCount25H come with HEPA filtered exhaust, a removable magnetic baseplate¹, a stainless steel sampling head and dust cover. All sampling heads, dust covers, and the removable magnetic baseplate¹ are autoclavable, which along with the sanitizable stainless steel enclosure ensure the ActiveCount will not contaminate your environments.

The ActiveCount HEPA units are truly ISO 14698 compliant with a d50 collection efficiency of 1 micron and HEPA filtered exhaust ports designed to avoid re-aspiration of sampled air.

The optional remote sample head minimizes disturbance of unidirectional airflow within a BSC or laminar flow bench and the gas sample option provides the versatility needed to accomplish all your critical sampling requirements.

F E A T U R E S

- 3.5 inch (8.9 cm) color touch screen
- 8 programmable sampling volumes
- 50 programmable user names
- 400 programmable location names
- Flow rate alarming
- Data logging to USB flash drive
- Password security for sample settings
- Autoclavable sampling head and dust cover
- 24 VAC adapter or internal battery with 8-10 hours normal use²
- Continuous, Periodic and Gas sampling modes
- Wipedownable and suitable for sterile conditions
- HEPA filtered exhaust
- ISO 14698-1 compliant
- Removable baseplate¹, magnetic and autoclavable



TECHNICAL DATASHEET

ActiveCount Microbiological Sampler With HEPA Filtered Exhaust

Features	ActiveCount100H	ActiveCount25H
Flow rate	100 liters/minute \pm 4% ²	25 liters/minute \pm 5% ³
Impactor Head	316L Stainless Steel with 300 holes, 19m/sec, d50: 1 μ m	316L Stainless Steel with 88 holes, 19m/sec, d50: 1 μ m
Dust Cover	316L Stainless Steel, autoclavable	
Baseplate	Removable, magnetic, autoclavable	
Exhaust	HEPA filtered, captures 99.97% of particles at 0.3 μ m	
Battery	8 Hrs. continuous, 10 Hrs. normal sampling ² , Li-ion rechargeable, 4 Hrs. charge time	
Weight	6.75 lbs	
Petri dish compatibility	Compatible with standard 90 mm petri dish (85mm-92mm), includes adjustment tool	
Sample volume presets	8 programmable volume presets	
User names	50 programmable user names	
Location names	400 programmable location names	
Display	3.5 inch (8.9 cm) color touch screen	
LED light	RGB LED light for status, alerts and alarms	
Speaker	Adjustable speaker volume	
Time/Date formats	Time format 12 or 24 hours, Date formats YYYY/MM/DD, MM/DD/YYYY, DD/MM/YYYY	
USB port	USB 2.0 port (8 GB flash drive included)	
Data records	Unlimited; saved on USB flash drive in .csv file format	
Log file data fields	Start date, time, location, user, sample duration, flow duration, volume, cycles, status	
Handle - monopod mountable	Monopod mountable handle 3/8-16, includes 1/4-20 threaded adapter	
Enclosure	316L Stainless Steel	
Power	24 VDC power adapter (100-240V ~ 1.5A 50-60Hz)	
Calibration	Annual	
Operating environment	0-90% humidity non condensing, 0-40°C sampling, 0-35°C charging	
Dimensions	7.6"(h) x 4.7"(w) x 4.7"(d) [19.4 (h) x 12.0 (w) x 12.0 (d) cm]	
Carry case	Seahorse case with Lighthouse Worldwide Solutions logo	

¹ Patent Pending

² Normal sampling use is defined as sampling 10 minutes, pausing 5 minutes, and repeating.

³ Monitored by a digital flow sensor.

Included: ActiveCount Unit, sample head, dust cover, baseplate, blower inlet seal (HEPA units only), petri dish adjustment tool, 1/4-20 threaded monopod adapter, 24 VDC power adapter with cord, Operators Manual on 16 GB USB flash drive, calibration certificate, carry case.

Optional: Remote sampling adapter with ISO probe, compressed gas sampler, tubing, cleanroom monopod, IQ/OQ protocols.

Distributed By:



Lighthouse Worldwide Solutions reserves the right to change specifications without notice.

www.golighthouse.com 1-800 945 5905 (Tollfree)
info@golighthouse.com 1-541 770 5905 (Outside of USA)

