

PlateCrane™ SciClops

(Vision-Guided Robot Arm)

Ahead of the Curve.

*The **PlateCrane SciClops** introduces revolutionary features for lab automation flexibility and ease-of-use:
Just Move It Near Your Instrument, and It Does the Rest!*

Finally, a laboratory robot arm that *Teaches Itself!* Eliminates the most common problem in benchtop robot systems: mishandled plates from inaccurate position calibrations.

Its great new features include:

- Integrated Vision Teaching
- 40% Larger Work Envelope
- Unlimited Rotation

Hudson's **PlateCrane SciClops** is affordable and flexible enough for automating any plate-handling task. Change the way you think about laboratory robots!

PlateCrane SciClops Robot Arm:

- Move the SciClops from one workcell to another and be ready to run in minutes!
- Handles any ANSI SLAS-standard microplate including 96, 384, 1536- well, deep-well blocks and tip boxes.
- Plug-and-Play USB computer interface .
- Automated plate handling with over 200 different instruments.
- Works with lidded or unlidded plates.
- Small enough to fit into a standard laboratory hood.
- Random access stacker option for room temperature incubations and kinetic assays.
- Add additional plates to running protocols with ease .
- All PlateCrane systems come with SoftLinX V Scheduling software. SoftLinX is an easy to use, drag-and-drop control program. Quickly and easily create automated methods.
- One (1) SciClops easily supports multiple instruments.



The **PlateCrane SciClops**



Corporate Headquarters:

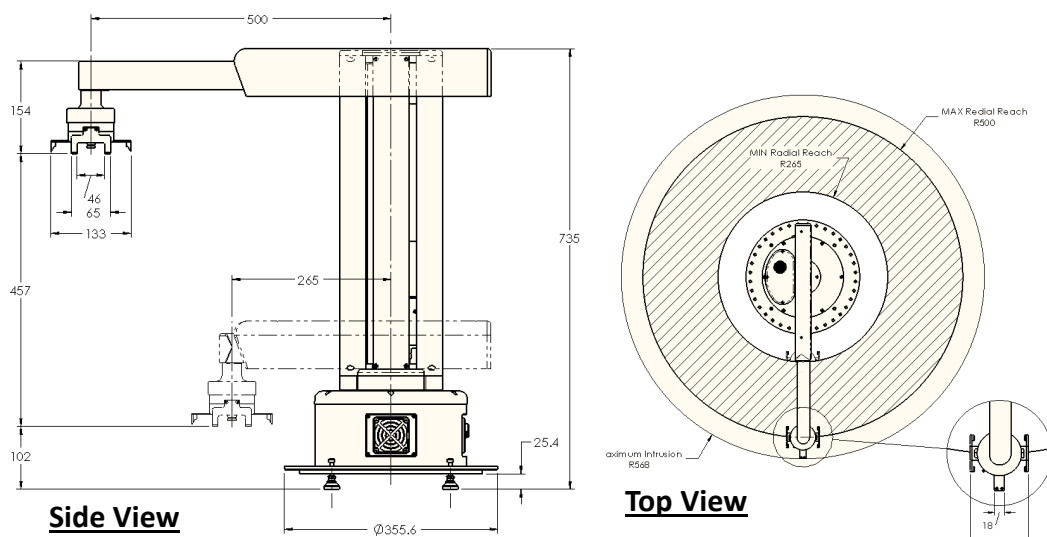
10 Stern Avenue | Springfield, NJ 07081-2905 | +1.973.376.7400 | info@hudsonrobotics.com | www.hudsonrobotics.com

Applications

The PlateCrane SciClops is the best, most accurate and easiest solution for automating plate-handling in the lab:

- **ELISAs:** Dispensers, Washers, Readers
- **Synthetic Biology:** DNA Purification, Extractions, Colony Picking
- **Cellular Assays:** Flow Cytometers, HCS, DLS, Microscopes
- **Sample Prep & Purifications:** SPE, Serial Dilution, Filtrations

Fast, easy, accurate: it does all the work for you!



PlateCrane SciClops - Expanded Work Envelope

Specifications

The SciClops is available with either a standard gripper* or a side gripper* for random access applications.

*Both grippers are rotary for working with either landscape or portrait nest positions

- Complete Vision Teaching is STANDARD in every SciClops
- 360°+ (unlimited) horizontal rotation for unparalleled flexibility.
- All PlateCrane systems work with lidded plates.
- Comes standard with 5 stacks; each stack holds 25 lidded plates, 30 plates without lids or 9 DW blocks
- Plate capacity can be expanded to 15 stacks or up to three 10-stack carousels.
- 265 to 500 mm horizontal reach from center axis.

Vertical reach: maximum 22 inches from table; 18 inches vertical travel distance

Height and weight: 28 - 29 inches; 45lbs. without stacks

Operating temperature and humidity: 15° to 40°C (59° to 104°F); 0 to 85%, non-condensing

Computer interface: USB

Power input: 115V / 220V AC, 50/60 Hz ; 2A

Corporate Headquarters:

10 Stern Avenue | Springfield, NJ 07081-2905 | +1.973.376.7400 | info@hudsonrobotics.com | www.hudsonrobotics.com