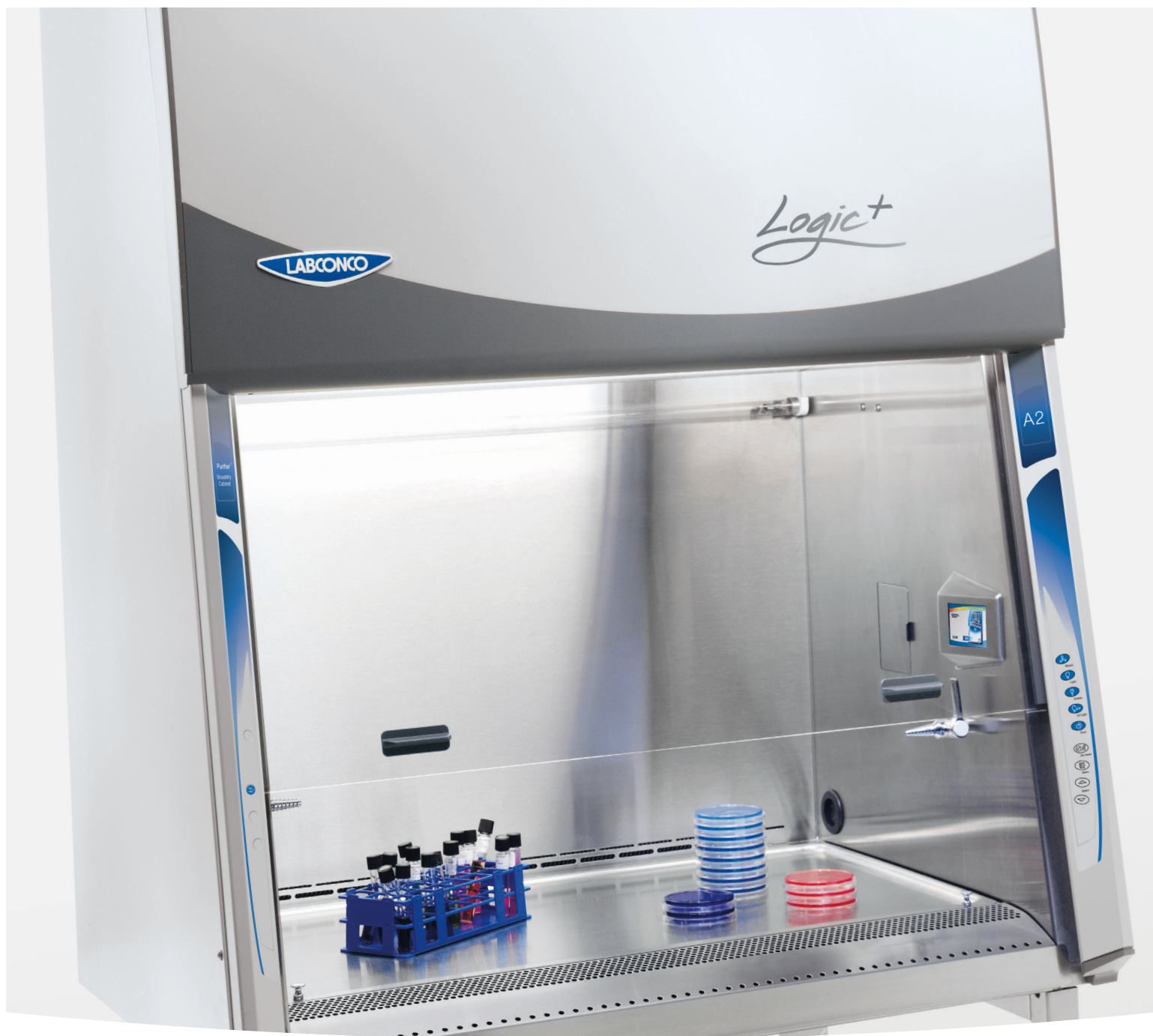


# Logic<sup>+</sup> Class II Biosafety Cabinets





# Designed, for humans.

Biosafety cabinets help make the world a safer place.  
Containing infectious outbreaks. Finding new cures.  
Helping someone beat cancer. Protecting all living things.  
Biosafety cabinets enrich our lives in so many ways.

By definition, they are built to keep you, your work and the environment safe. But there is a human element to safety. Unlike other cabinets, the Logic+ design considers the impact of human nature on safety that goes beyond just ergonomics. To the root of what connects us - human nature.

We call it Inclination Technology™. Features that reinforce what humans are inclined to do. So you experience less fatigue, fewer distractions and more comfort. Because we know what's at stake. Labconco. Designed, for humans.





## Table of Contents

<b>Introduction</b>	3	<b>Logic+ Type B2</b>	
<b>Logic+ Class II Biosafety Cabinets</b>		Specifications	14
Performance Features	4	Ordering Information	15
Safety Features & Benefits	5	Dimensional Data	16
Comfort Features	6	<b>Accessories</b>	
Type A2 or B2 Selection Guide	7	For All Models	17
Optional Features & Benefits	8	For Cell Logic+ Models & Pure-Vu™ Seal Selection	19
Optional Features, Benefits & Accessories	9	For All Models	20
<b>Logic+ Type A2</b>		Filters, Ductwork, Blowers & Typical System	21
Specifications	10	<b>Telescoping Base Stands</b>	22
Ordering Information	11	<b>Hydraulic Lift Base Stands</b>	23
EN 12469 Certified Model Specifications	12	<b>SoLo™ Hydraulic Lift Base Stands</b>	24
Dimensional Data	13		

**LABCONCO®**



## The Labconco difference.

**Safety.** The Logic+ goes beyond the current conventional Biosafety Cabinet (BSC) standards. A line-of-sight display for feedback on your cabinet's safe operation while seated. A filter life display instead of confusing pressure readings. Alerts and alarm messages are shown in full sentences.

**Performance.** Work smarter with the Logic+. Built-in system intelligence accurately maintains proper airflow, even as the HEPA filters load. This precision is achieved by pairing an Electronically Commutated Motor (ECM) with our exclusive Constant Airflow Profile™ (CAP) Technology.

**Comfort.** We've been at the forefront of BSC design for decades. Consider our angled sash that we pioneered in 1983. It gives closer viewing without glare. We thoughtfully design every feature to account for human interaction with the cabinet.

Safety, performance and comfort you can rely on. That's the Labconco difference.

# Logic+® Class II Biosafety Cabinets

## Performance Features

### Efficiency with ECM.

Electronically Commutated Motor (ECM) blowers have many perks over conventional BSC motors.

- Consumes 60% less energy (see table below)
- Quiet operation (<63 dBA)
- 50,000 hour average motor life
- Reserve power for extended filter life
- Generates less heat for cooler working conditions

### Airflow stability with CAP.

Constant Airflow Profile (CAP) monitors and maintains ECM airflow. Speed and torque are constantly adjusted to keep airflow within 1% of original calibration. CAP outperforms differential pressure gauges and airflow sensors. How? Gauges and sensors require manual adjustment by a certifier when a decline in airflow is detected. A certifier can only verify safe airflow for a single moment in time. With CAP, safe airflow is assured all the time.

### Energy Usage, Operating Costs & Comparison

	Logic+	Other Cabinet A	Other Cabinet B	Other Cabinet C
Motor Type/Technology	DC ECM	AC PSC	AC-30	DC
<b>8 Hours/Day (2,080 Hours/Year)*</b>				
Energy used (kWh/yr)	603	1206	861	339
Annual cost: Commercial	\$60	\$121	\$86	\$34
Annual cost: Industrial	\$41	\$81	\$58	\$23
<b>24 Hours/Day (8,736 Hours/Year)*</b>				
Energy used (kWh/yr)	2533 (803**)	5067	3617	1424
Annual cost: Commercial	\$253 (\$80**)	\$507	\$362	\$142
Annual cost: Industrial	\$170 (\$54**)	\$341	\$243	\$96
<b>15-Year Life Cycle Costs*** Operational Costs</b>				
Annual certification	\$2,250	\$2,250	\$2,250	\$2,250
Energy cost: 8 hrs/day (Industrial)	\$609	\$1,217	\$869	\$342
Energy cost: 24 hrs/day (Industrial)	\$2,557 (\$811**)	\$5,115	\$3,651	\$1,438
Total Operational Cost (8 hrs/day)	\$2,859	\$3,467	\$3,119	\$2,592
Total Operational Cost (24 hrs/day)	\$4,807 (\$3,061**)	\$7,365	\$5,901	\$3,688
<b>Maintenance Costs</b>				
HEPA filters	\$800	\$1,600	\$1,600	\$2,400
Service cost††	\$3,000	\$3,450	\$3,450	\$4,350
Replacement parts	\$700	\$1,100	\$1,100	\$2,500
Total Maintenance Cost	\$2,250	\$3,900	\$3,900	\$7,000
<b>Lifetime Costs</b>				
Total Lifetime Cost (8 hrs/day)	\$5,109	\$7,367	\$7,019	\$9,592
Total Lifetime Cost (24 hrs/day)	\$7,057 (\$5,311**)	\$11,265	\$9,801	\$10,688

\*Using a commercial business energy use cost of \$0.0988/kWh and an industrial energy use cost of \$0.0673/kWh.

\*\*Continuous operation of cabinet using Night-Smart reduced flow setback mode. Calculations based on using Night-Smart idle setback 16 hrs/day for five days/wk and 24 hours day for two days/week, 52 week calendar year.

\*\*\*Costs of HEPA filters, service and replacement parts are approximations, not an estimate or guarantee of any kind.

††Service cost includes annual certification (\$150/yr), decontamination (\$450/incident), and incidentals.

# Logic+® Class II Biosafety Cabinets

## Safety Features & Benefits

### Easy to decontaminate

Constructed with Type 304 stainless steel and safety glass.

### HEPA filters

Are 99.99+% efficient, creating an ISO 5 environment. ULPA option available.

### LED lighting

Brightly illuminates interior for maximum visibility.

### ❖ Reserve-Air™ Inflow Slots

maintain safe airflow should portions of the grille be inadvertently blocked.



### Constant Airflow Profile

Continuously monitors and maintains inflow and downflow to protect users and samples.

### Tempered safety glass sash

Audible/visual alarm indicates when the sash is above or below its working height.

❖ **MyLogic™ OS** conveniently displays cabinet information on line-of-sight screen.

❖ **Vacu-Pass™ Cord & Cable Portal** for safe passage of cords and tubing.

**LCD Information Center** builds user confidence by clearly displaying cabinet's status including filter life, blower condition, alerts, and alarms



Shown with optional inflow and downflow sensor kit



Sash height alarm shown

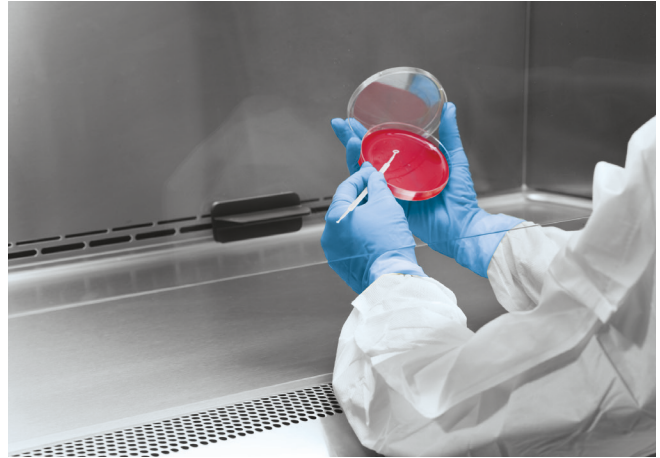
❖ Labconco exclusive feature

# Logic<sup>+</sup> Class II Biosafety Cabinets

## Comfort Features



**Line-of-sight display** and touchpad controls are within reach while seated.



**Curved inlet grille** provides comfortable area to rest arms. No additional armrests are needed.



**Lift knobs** on front corners of the dished stainless steel work surface allow for easy cleaning.



**Electrical outlet cover** may be opened with one finger and then gently and slowly self closes. Mounts flush and flat against the side wall for complete decontamination.

- **Large interior** with most cubic feet available anywhere
- **LED lighting** provides 90-150 footcandles and is glare-free, exceeding NSF requirements

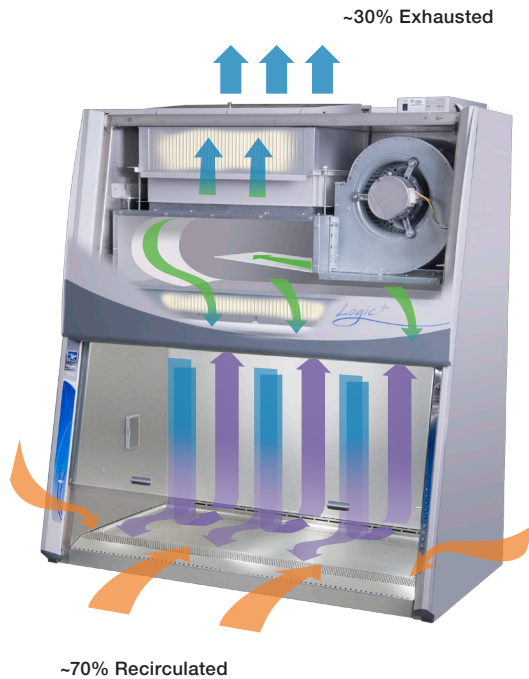
- **ECM blower** is quieter and cooler than comparable motors
- **Inclined sliding sash** is sloped at 10° for a close comfortable view unobstructed by exterior-mounted sash handles.



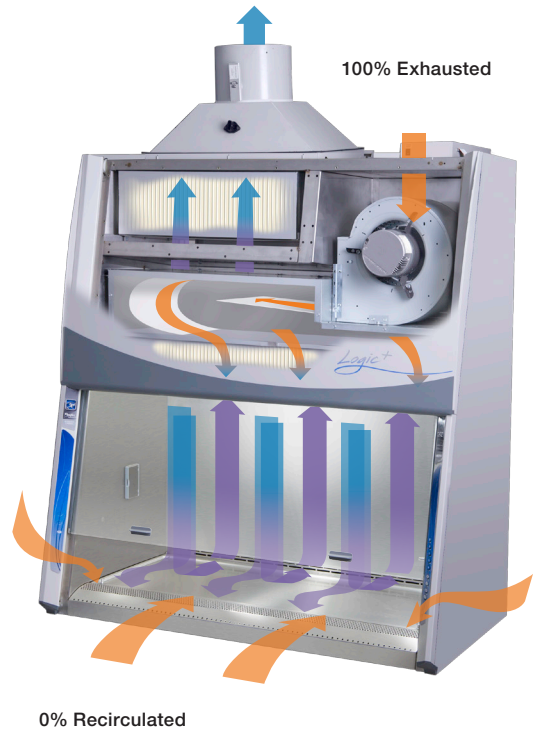
# Logic<sup>+</sup> Class II Biosafety Cabinets

## Type A2 or B2 Selection

### A2 Airflow



### B2 Airflow



### Room Air

### HEPA-Filtered Air

### Unfiltered Air Under Negative Pressure

### Unfiltered Air Under Positive Pressure

Room air is drawn into inlet grille. Air in plenum beneath work surface is a mix of unfiltered room air, and air from the work area. The blower draws this contaminated air through back plenum of the cabinet, where approximately 70% of the air is recirculated through the supply HEPA filter and back over work area. The remaining air is discharged to the environment after passing through exhaust HEPA filter.

Room air is drawn through top of cabinet. The air is HEPA filtered before flowing down through the work area. Room air is also drawn into the inlet grille. All of the contaminated air is drawn under the work surface, then up the rear plenum and through the exhaust HEPA filter. A dedicated remote blower and exhaust system draw 100% of filtered exhaust air out of the lab.

### We're here to help.

When you're ready to complete the selection process, we make it easy. Go to [labconco.com](http://labconco.com) to see all biosafety cabinet models and accessories.

Prefer to talk to a biosafety cabinet application specialist? We'd love to help. Just call us at (800) 821-5525 or (816) 333-8811.

# Cell Logic<sup>®</sup> Class II Biosafety Cabinets

## Optional Features & Benefits

**Special features for specialized work.** Cell Logic+ models are designed with sensitive microscopy in mind. Options for integrated viewing, vibration and temperature control that keeps you happy, and your cells happy.



**Scope-Ready™ Package.** Enhances comfort and performance when using a microscope in the cabinet.

**Pure-Vu™ Seal.** Made of clear, flexible material. Prevents contaminants from escaping while providing visibility into the cabinet. NSF 49 and Modified ASHRAE 110 tested. An accessory XL Seal is available for large microscopes.

**Stand-Still™ Isolation Platform.** Supports the microscope on the cabinet's work surface to reduce vibration threefold. Seamless Type 304 stainless steel. Easy to clean and autoclavable. Two sizes available. Sold separately. NSF 49 tested.

**Temp-Zone™ Package.** Creates a temperature-controlled area on your work surface for sensitive cells. Works with a user-supplied circulator to maintain uniform surface temperature. Easy-Clean™ Prop Rods elevate work surface for hands-free cleaning. 10.5" w x 12.0" d (7.0" x 12.0" on 3' models).



Temperature-controlled area



Easy-Clean Prop Rods

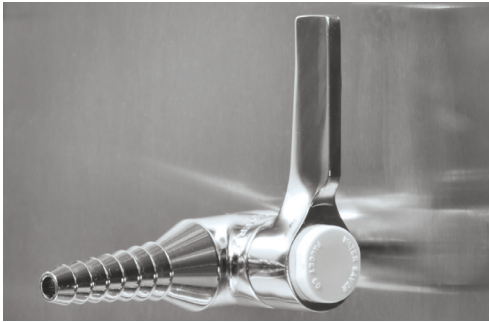


Pure-Vu Seal

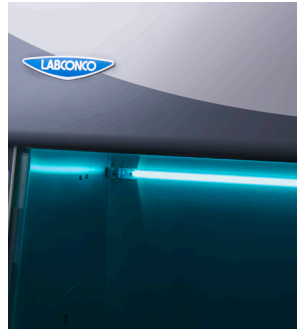
# Logic<sup>®</sup> Class II Biosafety Cabinets

## Optional Features, Benefits & Accessories

**Accessory Package** NSF approved. Work safer and smarter with a pre-installed UV lamp, service fixture and Vacu-Pass Cord and Cable Portal.



**Service Fixture.** Ball-type valve supplies water, vacuum, air or noble gases to cabinet interior. Serrated tip with quarter turn handle is mounted 8.5" (20 cm) above the work surface to maximize usable surface area. Max 40 psi. Accessory Package includes one right-hand service fixture (3', 4', and 5' models) or one service fixture on each side (6' models).



**UV Lamp.** For secondary decontamination while cabinet is not in use. Safety switch permits operation only when sash is completely closed. 254 nm.



**Vacu-Pass Cord & Cable Portal.** Negative pressure port allows passage of a cable through right-side wall. NSF approved.



**Telescoping Base Stand.** Available with all models. Adjustable legs allow for height adjustment during installation. Includes shelf. Unassembled design reduces waste by shipping with the cabinet. Provides working height of 30" - 37".



**Ventus<sup>™</sup> Canopy Connection.** Allows for thimble ducting of Type A2 cabinets to the outside. For applications involving unpleasant smells, small amounts of volatile toxic chemicals and tracer quantities of radionuclides. See page 21.

# Logic+® Type A2 Biosafety Cabinets

## Specifications



### All models feature:

- Electronically Commutated Motor (ECM)
- \* Constant Airflow Profile (CAP) airflow monitoring system
- Intrinsically-safe negative pressure design
- \* Air-Wave™ Entry System\*
- \* Contain-Air™ Negative Pressure Channel\*
- Supply and exhaust 99.99% efficient HEPA filters. 99.999% efficient ULPA filters available
- \* Interior-mounted, line-of-sight color LCD with MyLogic OS. Displays filter life, status messages for alarm conditions and alerts. 8 languages
- Bright, 90-150 footcandle, glare-free LED lighting located outside the contaminated work area
- Fully-closing, clear 1/4" tempered safety glass sash
- \* Curved stainless steel inlet grille with Reserve-Air Secondary Airflow Slots\*
- \* Two electrical duplex receptacles. Flush-mounted-stainless steel with dampened hinges. Single outlets on 230V models. One outlet on each side, with ground fault interruption (115V)
- Smart-Start™ System user-programmable start up & shut down
- Night-Smart™ System reduces blower speed when sash is closed
- Leak-tight stainless steel interior & powder-coated steel exterior
- Removable towel catch located under work surface
- Code-activated electronic security lock
- \* 22.6" (57 cm) max. sash opening & 27.0" (69 cm) viewing height
- 10° Angled sash with counterbalanced, easy lift mechanism
- ADA-Compliant touchpad control on right side post
- Noise level <63 dBA

\* Labconco exclusive feature

- Heat load 990 BTU/hour (4' models)
- Removable, seamless type 304 stainless steel, dished work surface with lift out knobs
- Nominal inflow velocity of 105 fpm (0.5 m/sec)
- Nominal downflow velocity of 55 fpm (0.3 m/sec)
- Approximately 70% air recirculation
- Overall depth x height: 31.2" x 61.7" (79.2 x 156.7 cm)
- 10' (3 m) power cord with plug
- Built-in timer and digital clock
- Five year warranty

### Models conform to the following standards:

- ETL listed
- NSF listed (Logic+ models)
- ADA-compliant (height of controls and receptacles)
- NSF and modified ASHRAE 110 compliant (Cell Logic+ models)
- CE Conformity marking (230V models)
- ISO 5 conditions per ISO 14644-1 and 2

### Options include:

- Telescoping base stand with fixed feet
- Accessory Package: See page 9
- \* Cell Logic+ Packages: See page 8
- Ventus Canopy Connection: See page 9

### All models require (not included):

- Supporting base if non-welded stand option is not selected



\*U.S. Patent No. 6,368,206.

# Logic+ Type A2 Biosafety Cabinets

## Ordering Information

### Catalog Number Configurator:

Use this key to configure the nine digit catalog number to order your Purifier Logic+ or Cell Logic+ Class II, Type A2 Biosafety Cabinet.



Select the **CELL LOGIC+ PACKAGE(S)**. This is the second digit of your catalog number.

- 0 = None
- 2 = Temp-Zone. Fifth digit is 9 and sixth digit is 1
- 3 = Scope-Ready. Fifth digit is 9 and sixth digit is 1
- 4 = Temp-Zone and Scope-Ready. Fifth digit is 9 and sixth digit is 1

Select the **WIDTH** of your cabinet. This is the fourth digit of your catalog number.

- 3 = 3'    4 = 4'    5 = 5'    6 = 6'

Select the **SASH OPENING HEIGHT**. This is the fifth digit of your catalog number.

- 1 = 10"    2 = 12"\*\*\*    8 = 8"    9 = 9" (Cell Logic+ only)

Select the **ACCESSORY PACKAGE** option. Service fixture(s), UV lamp and cord and cable portal. This is the sixth digit of your catalog number.

- 0 = None
- 1 = Includes right-side mounted factory-installed service fixture (two on 6' models, one on each side), UV lamp with timer (UV lamp not included with Scope-Ready), and ride-side wall Vacu-Pass Portal. Comes standard on all Cell Logic+ models.

Select the **TELESCOPING BASE STAND** option. This is the seventh digit of your catalog number.

- 0 = None    1 = Included

Select the **ELECTRICAL CONFIGURATION** and **PLUG TYPE**. These are the eighth and ninth digits of your catalog number.

- 01 = 115V, 15/20A, with plug for North America
- 11 = 230V, with plug for North America
- 21 = 100V, 15/20A, with plug for Japan
- 31 = 230V, with Schuko plug
- 41 = 230V, with plug for China/Australia
- 51 = 230V, with plug for Great Britain (UK)
- 71 = 230V, with plug for India

### Plug Configurations



115V, 15A  
for North America  
100V, 15A for Japan  
(3' and 4' widths)



115V, 20A  
for North America  
100V, 20A\* for Japan  
(5' and 6' widths)



230V  
for North America



230V  
Schuko



230V  
for China/Australia



230V  
for Great Britain (UK)



230V  
for India

### Technical Specifications

	3'	4'	5'	6'
<b>Exterior Width</b>	42.3" (107.4 cm)	54.3" (137.9 cm)	66.3" (168.4 cm)	78.3" (198.9 cm)
<b>Shipping Weight</b>	510 lbs. (231 kg)	585 lbs. (265 kg)	715 lbs. (324 kg)	805 lbs. (365 kg)
<b>Shipping Weight With Stand</b>	585 lbs. (265 kg)	670 lbs. (304 kg)	810 lbs. (367 kg)	905 lbs. (411 kg)

\*Plug is 20 amps, receptacle is 15 amps.

\*\*Available in 4', 5' and 6' widths only. Fourth digit of your catalog number will be 4, 5 or 6.

# Logic<sup>+</sup> Type A2 Biosafety Cabinet

## EN 12469 Certified Model Specifications



### Model features:

- 1.2 m (4') wide
- 20 cm sash height
- 230V operation
- Easy decontamination
- HEPA filter extended lifetime—expected life exceeds five years
- Supply and exhaust 99.99% efficient HEPA filters. 99.999% efficient ULPA filters available
- \* Quick-sealing sash and louver plate lock to create a leak tight seal so end user can decontaminate before the certifier arrives
- Bright, 90-150 footcandle, glare-free fluorescent lighting located outside the contaminated work area
- Inclination Technology
- \* Constant Airflow Profile (CAP) Technology
- \* Air-Wave Entry System\*
- \* Contain-Air Negative Pressure Channel\*
- \* ADA-Compliant LCD screen with “Filter Life Remaining” graph, status messages for alarm conditions and alerts
- Intrinsically-safe negative pressure design
- Fully-closing, clear 1/4" tempered safety glass sash
- Inlet grille with Reserve-Air Secondary Airflow Slots\*
- Leak-tight stainless steel interior & powder-coated steel exterior
- Removable towel catch located under work surface
- Code-activated electronic security lock
- \* Interior-mounted, line-of-sight, color LCD with MyLogic OS
- \* 22.6" (57 cm) max. sash opening & 27.0" (69 cm) viewing height

- \* Curved stainless steel inlet grille
- ADA-Compliant touchpad control on right side post
- \* Flush-mounted stainless steel electrical receptacle covers with dampened hinges
- Removable, seamless type 304 stainless steel, dished work surface with lift out knobs
- 10° Angled sash with counterbalanced, easy lift mechanism
- Noise level <60 dBA
- Heat load 990 BTU/hour
- Nominal inflow velocity of 105 fpm (0.5 m/sec)
- Nominal downflow velocity of 55 fpm (0.3 m/sec)
- Approximately 70% air recirculation
- Overall depth x height: 31.2" x 61.7" (79.2 x 156.7 cm)
- 10' (3 m) power cord with plug
- Built-in timer and digital clock
- Five year warranty

### Model conforms to the following standards:

- EN 12469 Certified by TÜV Rheinland
- ADA-Compliant (controls and receptacles)

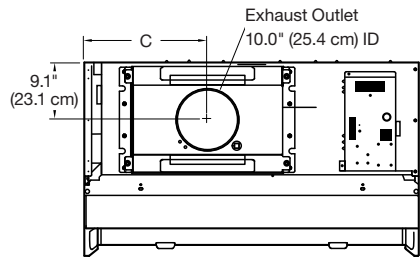


Catalog Number	Description
302488050	EN 12469 Logic+ with UK plug, 1.2 m (4') wide
302488060	EN 12469 Logic+ with Schuko plug, 1.2 m (4') wide

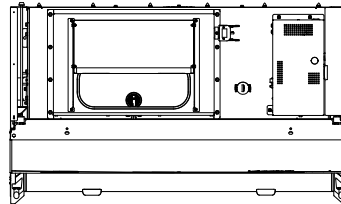
\* Labconco exclusive feature

# Logic<sup>+</sup> Type A2 Biosafety Cabinets

## Dimensional Data

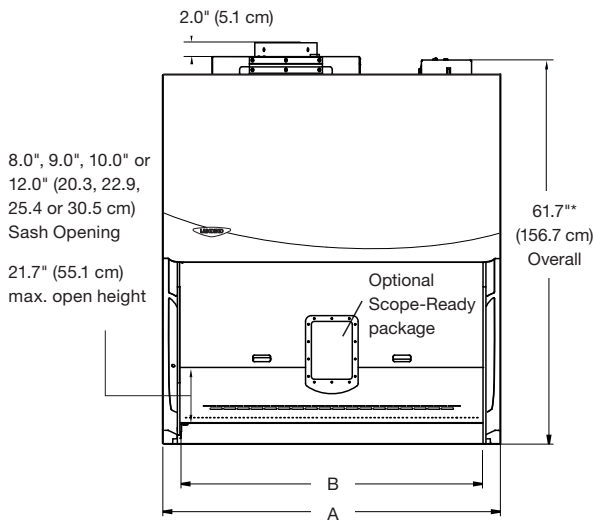


**TOP**

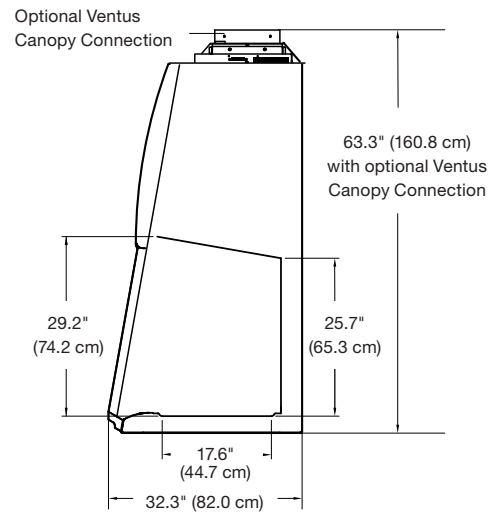


**TOP (EN MODEL)**

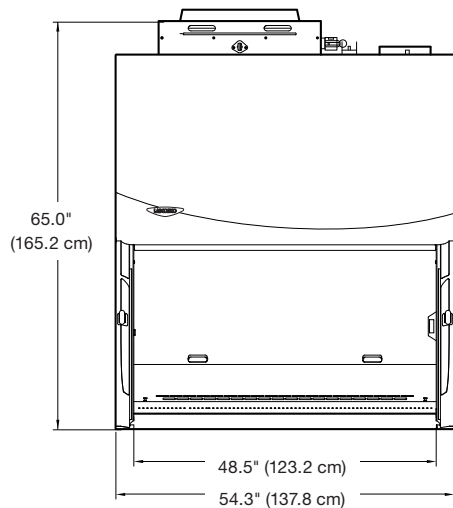
Nominal Width	A	B	C
3'	42.3" (107.4 cm)	36.5" (92.7 cm)	13.6" (34.5 cm)
4'	54.3" (137.9 cm)	48.5" (123.2 cm)	19.9" (50.5 cm)
5'	66.3" (168.4 cm)	60.5" (153.7 cm)	26.9" (68.3 cm)
6'	78.3" (198.9 cm)	72.5" (184.2 cm)	32.9" (83.6 cm)



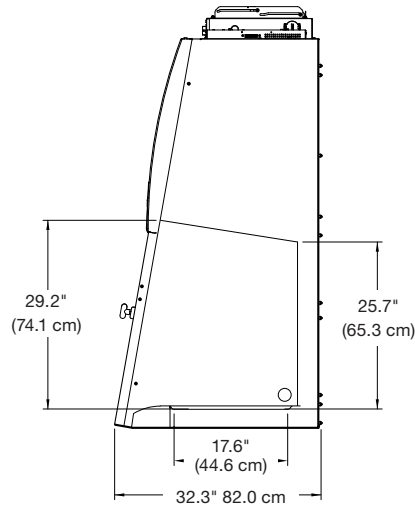
**FRONT**



**SIDE**



**FRONT (EN MODEL)**



**SIDE (EN MODEL)**

\*Exhaust collar is 2.0" high (5.0 cm).

\*\*Sash opening working height varies. All Cell Logic<sup>+</sup> Class II, Type A2's have a 9.0" working height. Remaining models have either an 8.0", 10.0" or 12.0" working height.

# Logic+® Type B2 Biosafety Cabinets

## Specifications



### All models feature:

- \* Electronically Commutated Motor (ECM)
- \* Constant Airflow Profile (CAP) airflow monitoring system
  - Intrinsically-safe negative pressure design
- \* Air-Wave Entry System\*
- \* Contain-Air Negative Pressure Channel\*
  - Supply and exhaust 99.99% efficient HEPA filters. 99.999% efficient ULPA filters available
- \* Interior-mounted, line-of-sight, color LCD with MyLogic OS displays filter life, status messages for alarm conditions and alerts. 8 languages.
  - Bright, 90-150 footcandle, glare-free LED lighting located outside the contaminated work area
  - Fully-closing, clear 1/4" tempered safety glass sash
- \* Curved stainless steel inlet grille with Reserve-Air Secondary Airflow Slots\*
- \* Two electrical duplex receptacles. Flush-mounted-stainless steel with dampened hinges. Single outlets on 230V models. One outlet on each side, with ground fault interruption (115V)
- Smart-Start System user-programmable start up & shut down
- Leak-tight stainless steel interior & powder-coated steel exterior
- Removable towel catch located under work surface
- Code-activated electronic security lock
- \* 22.6" (57 cm) max. sash opening & 27.0" (69 cm) viewing height
  - 10° Angled sash with counterbalanced, easy lift mechanism
- \* ADA-Compliant touchpad control on right side post
- Removable, seamless type 304 stainless steel, dished work surface with lift out knobs

- Noise level <63 dBA
- Heat load 990 BTU/hour (4' models)
- Nominal inflow velocity of 105 fpm (0.5 m/sec)
- Nominal downflow velocity of 55 fpm (0.3 m/sec)
- 10' (3 m) power cord with plug
- Five year warranty

### Models conform to the following standards:

- ETL listed
- NSF International listed (Logic+ models)
- NSF compliant (Cell Logic+ models)
- CE Conformity marking (230V models)
- ISO 5 conditions per ISO 14644-1 and 2
- ADA-Compliant (controls and receptacles)

### Options include:

- Telescoping base stand with fixed feet
- Accessory Package: See page 9
- \* Cell Logic+ Packages: See page 8

### All models require (not included):

- Supporting base if non-welded stand option is not selected



\* Labconco exclusive feature

\*U.S. Patent No. 6,368,206.



# Logic+ Type B2 Biosafety Cabinets

## Ordering Information

### Catalog Number Configurator:

Use this key to configure the nine digit catalog number to order your Purifier Logic+ or Cell Logic+ Class II, Type B2 Biosafety Cabinet.

3  3  8

Select the **CELL LOGIC+ PACKAGE(S)** option. This is the second digit of your catalog number.

- 0 = None (Logic+ only)
- 2 = Temp-Zone package. Sixth digit is 1
- 3 = Scope-Ready package. Sixth digit is 1
- 4 = Temp-Zone and Scope-Ready packages. Sixth digit is 1

Select the **WIDTH** of your cabinet. This is the fourth digit of your catalog number.

- 4 = 4'    6 = 6'

Select the **ACCESSORY PACKAGE** option: service fixture(s), UV lamp and Vacu-Pass Cord and Cable Portal. This is the sixth digit of your catalog number.

- 0 = None (Logic+ only)
- 1 = Includes a right-side mounted factory-installed service fixture (two on 6' models, one on each side), UV lamp with timer, (UV lamp not included with Scope-Ready), and right-side wall Vacu-Pass portal. Comes standard on all Cell Logic+ models

Select the **TELESCOPING BASE STAND** option. This is the seventh digit of your catalog number.

- 0 = None
- 1 = Telescoping base stand included with the cabinet

Select the **ELECTRICAL CONFIGURATION** and **PLUG TYPE**. These are the eighth and ninth digits of your catalog number.

- 01 = 115V, 15A, with plug for North America
- 11 = 230V, with plug for North America
- 21 = 100V, 15A, with plug for Japan
- 31 = 230V, with Schuko plug
- 41 = 230V, with plug for China/Australia
- 51 = 230V, with plug for Great Britain (UK)
- 71 = 230V, with plug for India

### Electrical Requirements

Electrical Configuration	Amps (4' Models)	Amps (6' Models)
115V, 60 Hz	12	12
100V, 50/60 Hz	12	12
230V, 50/60 Hz	6	8

### Plug Configurations



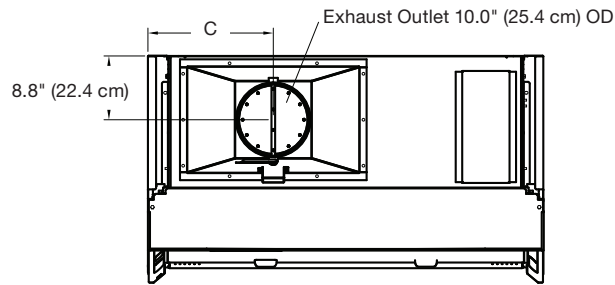
### Exhaust Requirements & Shipping Weights

Nominal Width	CBV*	Shipping Weight	Shipping Weight With Stand
4'	852 CFM @ 1.8"	650 lbs. (295 kg)	730 lbs. (331 kg)
6'	1265 CFM @ 2.2"	840 lbs. (381 kg)	940 lbs. (426 kg)

\*Concurrent Balance Values (CBV) are obtained using a Pitot or thermal anemometer traverse of the exhaust duct. Static pressure is the amount of vacuum required at the cabinet connection plus 0.7" for HEPA filter loading.

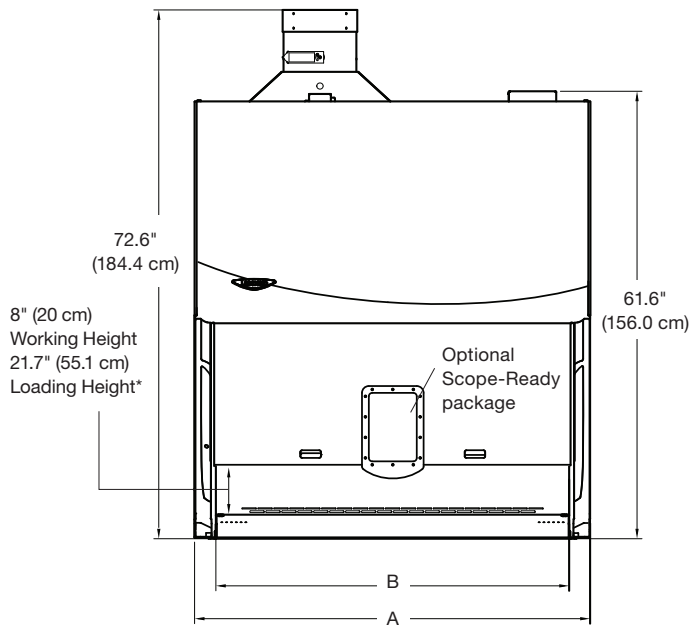
# Logic<sup>+</sup> Type B2 Biosafety Cabinets

## Dimensional Data

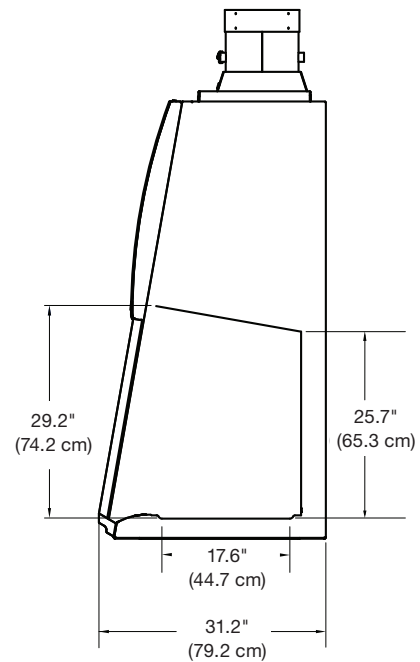


TOP

Nominal Width	A	B	C
4'	54.3" (137.9 cm)	48.5" (123.2 cm)	17.2" (43.7 cm)
6'	78.3" (198.9 cm)	72.5" (184.2 cm)	28.9" (73.4 cm)



FRONT



SIDE

\*Loading height with bag-in/bag-out option is 11.8" (29.98 cm)

# Logic<sup>+</sup> Class II Biosafety Cabinets

## Accessories



**3744000—Ergonomic Chair with Armrests.** 6-way articulating seat for personalized comfort. Height adjusts from 18.25" to 25.75" (46 x 64 cm). Five-leg reinforced composite base with ball-bearing casters and aluminum support ring. Removable armrests. Black vinyl upholstery. **⚠WARNING:** Cancer - P65Warnings.ca.gov (California only). Shipping weight 35 lbs. (16 kg)



**3746000—Adjustable Footrest.** Ergonomic design reduces strain and fatigue while working. 18.5" w x 11.5" d x 8.0" (47 x 29 x 20 cm). Shipping weight 6.0 lbs. (3.0 kg)

**3405500—Inflow and Downflow Sensor Kit.** Allows display of inflow and downflow velocities on LCD screen. Includes sensor, wiring harness and hardware. **Not for use on Type B2 cabinets. Installation and certifier calibration required.** Shipping weight 3.0 lbs. (1.0 kg)

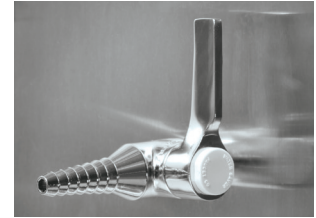
**3858320—Dry Contact Relay Kit.** Connects BSC to remote blower or building monitoring system. Shipping weight 1.0 lb (0.5 kg)

**Ultraviolet Lamp Kits.** Include 254 nm UV lamp and ballast. Not recommended for Cell Logic<sup>+</sup> models with Scope-Ready package. **Installation required.**

Catalog Number	Description	Shipping Weight
3858500	115V, Type A2 & B2	5.0 lbs. (2.0 kg)
3858501	100V, Type A2 & B2	5.0 lbs. (2.0 kg)
3858502	230V, Type A2 & B2	5.0 lbs. (2.0 kg)



**3402800—Vacu-Pass Cord & Cable Portal Kit.** NSF-approved portal allows passage of a cable through right-side wall. Accommodates cords/cables with dia. of 1/8", 1/4", 3/8" and 1/2", and blank plug. **Installation required.** Shipping weight 2.0 lbs. (1.0 kg)



**3747500—Service Fixture Kit.** Includes serrated hose tip with ball valve, quarter turn control handle and hardware. Mounts on left or right side interior. Cabinets are factory-prepared for up to four fixtures. **Installation required.** Shipping weight 4.0 lbs. (2.0 kg)

**IV Bar Kits.** Include IV bar, mounting hardware and four hangers. **Installation is required.**



Catalog Number	For Use With	Shipping Weight
3858600	3' Type A2 & B2	3.0 lbs. (1.0 kg)
3858601	4' Type A2 & B2	4.0 lbs. (2.0 kg)
3858602	5' Type A2 & B2	5.0 lbs. (2.0 kg)
3858603	6' Type A2 & B2	6.0 lbs. (3.0 kg)



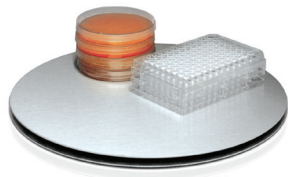
**3859100—Cord Manager.** Includes three stainless steel hooks and carabiners. Mounts to rear grille. Shipping weight 3.0 lbs. (1.0 kg)



**3859000—Interior Shelf.** Stainless steel shelf, 8.0" x 5.0" (20 x 13 cm), mounts to rear grille. Capacity: 2.2 lbs. (1 kg). Shipping weight 3.0 lbs. (1.0 kg)

# Logic<sup>®</sup> Class II Biosafety Cabinets

## Accessories



**3852000—Turntable.** “Lazy Susan” rotates 360° to bring items within easy reach. Stainless steel surface and ball bearings. 12" (30 cm) dia. Autoclavable. Shipping weight 5.0 lbs. (2.0 kg).

**VACUUBRAND<sup>®</sup> BVC Basic Fluid Aspiration Systems.** For connection to an external vacuum source such as a diaphragm pump. Mechanical vacuum controller opens when needed to limit gas consumption from the vacuum source. Include coated steel base, autoclavable collection bottle, flow-through aspirator tube and PTFE 0.2 micron filter. Shipping weight 6.2 lbs. (3.0 kg)



Catalog Number	Includes	Dimensions (l x w x h)
3850310	4L Polypropylene Collection Bottle	9.9" x 7.9" x 19.3"
3850320	2L Borosilicate Glass Collection Bottle	9.1" x 7.1" x 17.0"

**VACUUBRAND<sup>®</sup> BVC Control Fluid Aspiration Systems.** Include chemical-resistant PTFE diaphragm pump, capable of drawing 12 L/min at a vacuum of 150 mBar/112 Torr. Mechanical vacuum controller opens when needed to limit gas consumption from the vacuum source. Touch panel vacuum adjustment from 150-850 mBar, autoclavable collection bottle, flow-through aspirator tube and PTFE 0.2 micron filter. Shipping weight 17 lbs. (8.0 kg)



### Systems with 4L Polypropylene Collection Bottle

Catalog Number	Electrical Requirements	Plug Type
Dimensions (l x w x h): 16" x 7.6" x 20" (41 x 19 x 50 cm)		
3850330	115V, 50/60 Hz	115V, 15A
3850331	230V, 50/60 Hz	230V for North America
3850332	230V, 50/60 Hz	Schuko
3850333	230V, 50/60 Hz	For China/Australia
3850334	230V, 50/60 Hz	For British (UK)
3850335	230V, 50/60 Hz	For India

**8022000—Logic Cart.** HDP and ABS construction. Overall dimensions: 25.0" w x 19.0" d x 27.0" h (64 x 48 x 69 cm). Shipping weight 50 lbs. (23 kg)



**3408500—Sash-Glider Kit.** Cleans both sides of sash while cabinet is closed to avoid contamination risks. Includes two microfiber sheets and ten disposable scrubbing strips. Shipping weight 5.0 lbs. (2.0 kg). Replacement strips, (3408600) package of 25. Shipping weight 2.0 lbs. (1.0 kg)



### Systems with 2L Borosilicate Glass Collection Bottle

Catalog Number	Electrical Requirements	Plug Type
Dimensions (l x w x h): 16" x 7.6" x 17" (41 x 19 x 43 cm)		
3850340	115V, 50/60 Hz	115V, 15A
3850341	230V, 50/60 Hz	230V for North America
3850342	230V, 50/60 Hz	Schuko
3850343	230V, 50/60 Hz	For China/Australia
3850344	230V, 50/60 Hz	For British (UK)
3850345	230V, 50/60 Hz	For India

# Cell Logic<sup>®</sup> Class II Biosafety Cabinets

## Accessories & Pure-Vu<sup>™</sup> Seal Selection

**Pure-Vu Seals.** Each Cell Logic+ with Scope-Ready package comes with two clear blank seals (one each 4027800 and 4027810). Punch Kit (4027801) is included with each Scope-Ready Cell Logic+. Pre-punched seals sold separately. Shipping weight 0.5 lb. (0.2 kg)



Reference	Catalog Number	Nominal Eyepiece Height*
Not Shown	<b>4027800</b>	Universal Pure-Vu. Blank.
(A)	<b>4027813</b>	13.0" (33.0 cm)
(B)	<b>4027814</b>	14.0" (35.6 cm)
(C)	<b>4027815</b>	15.0" (38.1 cm)
(D)	<b>4027816</b>	16.0" (40.6 cm)
(E)	<b>4027817</b>	17.0" (43.2 cm)
Not shown	<b>4027810</b>	Universal Pure-Vu XL. Blank.
(F)	<b>4027811</b>	16" (+/- 2.0") (40.6 cm, +/- 5.1 cm)

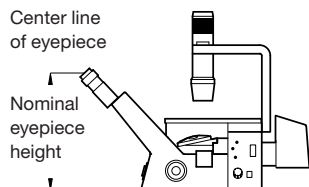
**Stand-Still Isolation Platforms.** Required for supporting microscopes on Cell Logic+ models with Scope-Ready package. Promotes proper airflow through the cabinet. Reduces vertical and horizontal vibrations threefold. Type 304 stainless steel base with isolation pads. 1.5" high (0.4 cm).

Catalog Number	Description	Shipping Weight
<b>4028200</b>	Stand-Still Platform, 12.0" x 18.75" (30.5 x 47.6 cm)	8.0 lbs. (4.0 kg)
<b>4028100**</b>	Stand-Still XL Platform, 14.0" x 22.75" (35.6 x 57.8 cm)	2.0 lbs. (0.9 kg)

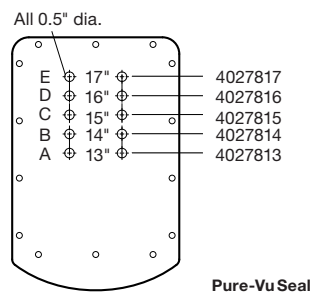
### Selecting the pre-punched Pure-Vu Seal that's right for you.

Dimensions shown indicate distance from base of the microscope to centerline of the eyepiece. Blank Pure-Vu Seal (4027800) and Blank Pure-Vu XL Seal (4027810) are not shown below.

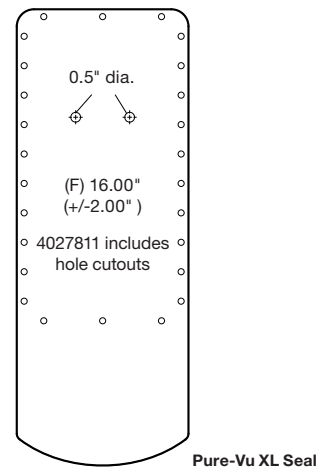
**1.** Measure from the centerline of the eyepieces to the base of your microscope.



**2.** For inverted scopes with relatively stationary eyepiece height, select corresponding seal with the nominal eyepiece height in the drawing below.



**3.** For stereo scopes or inverted scopes requiring frequent eyepiece height adjustment, select a Pure-Vu XL Seal (shown right). The XL Seal is designed to be pleated when installed to allow for eyepiece height flexibility of +/-2.0" (5 cm). The Pure-Vu XL Seals extend 5.5" (14 cm) below collar.



\*When selecting a seal for a Cell Logic+ Class II, Type B2 Biosafety Cabinet, add one inch to your eyepiece height and use the Pure-Vu Seal chart on this page.

\*\*Requires use of Pure-Vu XL Seal 4027810 or 4027811.

# Logic<sup>+</sup> Class II Biosafety Cabinets

## Accessories

**Universal Tube Baths and Aluminum Tube Racks.** Anodized aluminum blocks hold tubes of various sizes. Promotes the conduction of heat or cold from Temp-Zone area to help maintain sample temperature. Universal tube baths hold tubes in an aluminum bead bath and aluminum tube racks hold tubes upright. Thermally-conductive beads are sold separately.



Universal Tube Bath



Aluminum Tube Racks

Catalog Number	Description	Tube Capacity	Dimensions (w x d x h)	Shipping Weight
4026400	0.5 ml microcentrifuge, 7.5 mm	18	1.5" x 6.0" x 1.3" (38 x 152 x 32 mm)	2.0 lbs. (1.0 kg)
4026401	0.5 ml microcentrifuge, 7.5 mm	96	6.0" x 8.0" x 1.5" (152 x 203 x 38 mm)	8.0 lbs. (3.0 kg)
4026402	1.5 ml microcentrifuge, 10.5 mm	18	2.0" x 6.0" x 1.5" (51 x 152 x 38 mm)	2.0 lbs. (1.0 kg)
4026403	1.5 ml microcentrifuge, 10.5 mm	96	8.0" x 8.0" x 1.5" (203 x 203 x 38 mm)	9.0 lbs. (4.0 kg)
4026404	1.5 ml flat bottom, 10 mm	12	1.5" x 4.0" x 1.3" (38 x 102 x 32 mm)	1.0 lb. (0.5 kg)
4026405	5 ml flat bottom, 12 mm	12	2.0" x 5.0" x 2.5" (51 x 127 x 64 mm)	3.0 lbs. (1.0 kg)
4026406	6 ml flat bottom, 13 mm	12	2.0" x 5.0" x 2.5" (51 x 127 x 64 mm)	3.0 lbs. (1.0 kg)
4026407	15 ml round, 16-17 mm	12	2.0" x 6.0" x 3.0" (51 x 152 x 76 mm)	4.0 lbs. (2.0 kg)
4026408	15 ml conical, 16-17 mm	12	2.0" x 6.0" x 4.0" (51 x 152 x 102 mm)	5.0 lbs. (2.0 kg)
4026409	50 ml round, 28 mm	4	1.5" x 6.0" x 4.0" (38 x 152 x 102 mm)	3.0 lbs. (1.0 kg)
4026410	50 ml conical, 28 mm	4	1.5" x 6.0" x 4.0" (38 x 152 x 102 mm)	3.0 lbs. (1.0 kg)
4026411	<b>Microtiter well plate</b> 3.4" x 5.0" (86 x 127 mm)	1	6.0" x 8.0" x 1.5" (152 x 203 x 38 mm)	5.0 lbs. (2.0 kg)
	1.5 ml microcentrifuge	12		
	0.5 ml microcentrifuge	12		
4026600	<b>Small Bath</b> 0.25L capacity		2.0" x 4.0" x 3.0" (50.8 x 101.6 x 76.2 mm)	2.0 lbs. (1.0 kg)
4026601	<b>Large Bath</b> 0.5L capacity		4.0" x 4.0" x 3.0" (101.6 x 101.6 x 76.2 mm)	2.0 lbs. (1.0 kg)
4026602	<b>Lab Armor Beads*</b> 0.75L			5.0 lbs. (2.0 kg)

**G4 Prefilter Starter Kits & Replacement Prefilters.** Pleated disposable filter with Merv 8 rating. Include prefilter, hardware and bracket for installing on the towel catch. **Installation is required.**

Kit Catalog Number	Replacement Prefilter Catalog Number	For Use With Cabinet Width
3406000	3406200	3'
3406001	3406201	4'
3406002	3406202	5'
3406003	3406203	6'

**Screen Prefilter Starter Kits.** Each kit consists of a washable/reusable, metal screen-type prefilter and hardware including bracket for installing on the towel catch. **Installation is required.**

Catalog Number	For Use With Cabinet Width	Shipping Weight
3406100	3'	4.0 lbs. (2.0 kg)
3406101	4'	5.0 lbs. (2.0 kg)
3406102	5'	6.0 lbs. (3.0 kg)
3406103	6'	7.0 lbs. (3.0 kg)

\*Lab Armor<sup>®</sup> is a registered trademark of Lab Armor, LLC.

# Logic<sup>®</sup> Class II Biosafety Cabinets

## Filters, Ductwork, Blowers & Typical Exhaust System



**Ventus Canopy Connection.** For thimble exhausting Type A2 cabinets. Canopy provides air gap allowing room air to enter the ductwork and mix with the filtered air being exhausted to the outside. Detects insufficient exhaust in less than one second and signals LCD to show an alarm. Alarm increases motor to maximum speed for personal safety. Adds only 1.25" to cabinet height. Powder-coated steel. Collar is 10" (25.4 cm) ID. **Exhaust connection is required. Damper (3776800) and Remote Blower (7068000 or 7068200) are recommended (not included).** Contact Labconco for information on factory installation. Shipping weight 60 lbs. (27 kg)

Catalog Number	For Use With	Total Exhaust Volume (CFM) (Cabinet & Room Air)		
		8" Sash Opening	9" Sash Opening	10" Sash Opening
3889200	3' Type A2	253-323	278-351	303-379
3889201	4' Type A2	319-396	354-433	389-470
3889202	5' Type A2	386-470	428-516	470-562
3889203	6' Type A2	453-543	503-598	553-654

**3776800—Air-Tight Damper.** Mounts atop Ventus Canopy to adjust exhaust airflow and closes for decontamination procedures. Manually adjustable. Type 304 stainless steel. 10" (25.4 cm) high with 10" (25.4 cm) dia. OD inlet & outlet. Shipping weight 13 lbs. (6 kg)



**3858800—Backdraft Damper.** Mounts in vertical duct run to prevent reverse pressurization of the exhaust system. 3.0" (8 cm) high with 10" (25.4 cm) dia. OD inlet and outlet. Shipping weight 5.0 lbs. (2.0 kg)



**Remote Blowers. Required for Type B2 and recommended for canopy-ducted Type A2.** Phenolic-coated impeller and housing, powder-coated steel base and weather cover, belt-drive motor with adjustable sheave and self-adjusting gravity belt tightener. Contact Labconco for dimensions and blowers of other sizes and electrical configurations.



Catalog Number	For Use With	Electrical Requirements	HP	Shipping Weight
7068000	3' & 4' Type A2	115V, 60 Hz, 1 phase, 4.0A	1/6	92 lbs. (42 kg)
7068200	5' & 6' Type A2	115V, 60 Hz, 1 phase, 4.4A	1/4	92 lbs. (42 kg)
7071900	4' & 6' Type B2	230/460V, 60 Hz, 3 phase, 5.8/2.9A	2	100 lbs. (45 kg)

### Blower Dimensions

	7068000 & 7068200	7071900
<b>Inlet</b>	10.87" (27.6 cm) ID	12.25" (31.1 cm) OD
<b>Outlet</b>	10.0" w x 5.5" d (14 x 25 cm)	13.5" w x 7.0" d (18 x 34 cm)
<b>Blower Transition Adapter Required</b>	4722401	7003400

### Typical Cabinet Exhaust System

**Zero Pressure Weathercap** 7095100, 10" dia. or 5622100, 12" dia.

**Thermoplastic Duct** 7027200, 10" dia. or 5602000, 12" dia.

**Duct Reducer** 5606100, 10" x 12" dia.

**Flexible Duct Connection** 7034200, 11" dia.

**90° Elbow** 7027300, 10" dia.

**Air-Tight Damper** (included with Type B2 and accessory for Canopy-ducted Type A2)

**Backdraft Damper** 3858800, 10" dia.

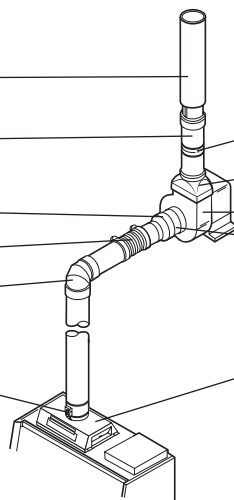
**Blower Transition Adapter** 4722401, 10" dia. 7003400, 12" dia.

**Remote Blower**

**Male Duct Coupling** 7067300, 12" dia.

**Canopy Connection** (Type A2 only) or **Hard Duct Connection** (Type B2 only)

**Contact Labconco for ordering information and technical assistance in selecting the right ductwork for your installation.**

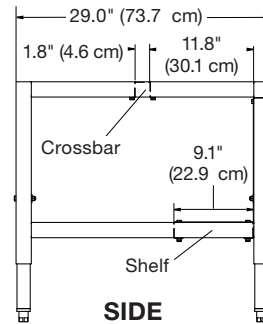
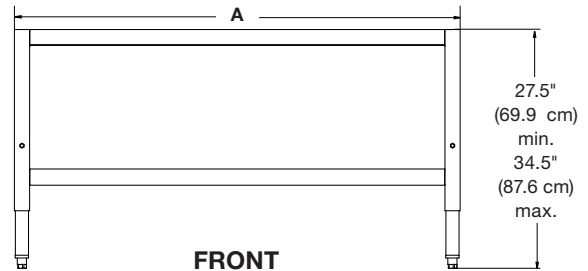


# Telescoping Base Stands



- Supports Logic+ and Cell Logic+ models
- Supports loads up to 1,000 lbs. (1814 kg)
- Durable 1.75" tubular, powder-coated steel frame with back panel support
- Telescoping legs are adjustable to eight height positions at installation in 1" (2.5 cm) increments to provide a working height from 30" (76 cm) to 37" (94 cm)\*
- **Unassembled.** Easily assembled with simple hand tools
- 9" deep (23 cm) shelf included
- Four fixed leveling feet provided
- NSF-approved
- ADA-compliant (stand height)

Catalog Number	Nominal Width	A	Shipping Weight
3401003	3'	38.5" (97.8 cm)	117 lbs. (53 kg)
3401004	4'	50.5" (128.3 cm)	125 lbs. (57 kg)
3401005	5'	62.5" (158.8 cm)	133 lbs. (60 kg)
3401006	6'	74.5" (189.2 cm)	149 lbs. (68 kg)



**Contact Labconco for ordering information on assembled telescoping base stands**

**3857000—Seismic Bracket Kit.** Secures base stand to the floor in earthquake-prone regions. Includes four stainless steel brackets and hardware for attachment to stand. **Hardware to attach to the floor and installation are required.** Shipping weight 10 lbs. (5 kg)



**3730500—Caster Kit.** For converting telescoping base stands with fixed feet to mobile stands. Kit includes four 5" dia., non-marking polyurethane casters with toe locks and bearings. Load rating for each caster is 250 lbs. Casters add 11" (28 cm) to the overall depth of the base stand. **Installation required.** Shipping weight 10 lbs. (5 kg)

**Laptop Computer Arms.** For securing laptop within easy view. Mount to front leg of telescoping base stands or front of SoLo Base Stands (see page 24). Articulating arm raises, lowers and pivots. Include powder-coated steel arm and support surface with cloth loop fasteners and mounting hardware. Not for use with other hydraulic lift stands. **Installation is required.**



Catalog Number	For Use With	Shipping Weight
3869300	Telescoping Base Stand	12 lbs. (5.0 kg)
3869200	Solo Hydraulic Lift Base Stand	12 lbs. (5.0 kg)

\*Height selection and adjustment are required before enclosure is installed



# Hydraulic Lift Base Stands



- Support Purifier Logic<sup>+</sup> and Cell Logic<sup>+</sup> Biosafety Cabinets
- Support loads up to 1,000 lbs. (454 kg)
- Durable 1.75" (4.4 cm) tubular, powder-coated steel frame with rear crossbar supports. Sub-frame has 2.0" (5.1 cm) x 3.0" (7.6 cm) rectangular tubing
- Height is infinitely adjustable from 25.5" (64.8 cm) to 33.5" (85.1 cm)
- Accommodate persons of different heights and equipment transport through doorways with easier access to services
- Ships fully assembled
- Include four powder-coated, die-cast feet with levelers
- NSF-approved
- ADA-compliant
- Front-accessible up/down switch (electric lift models) included
- Front-accessible hand crank included. Handle may be disengaged and folded out of the way, when not in use (manual lift models)

**4028600—Support Shelf.** Provides a work surface to support remote equipment. Powder-coated steel shelf mounts to left-side tubular frame of base stand. 12.0" w x 22.0" d (26 x 30 cm). **Installation is required.** Shipping weight

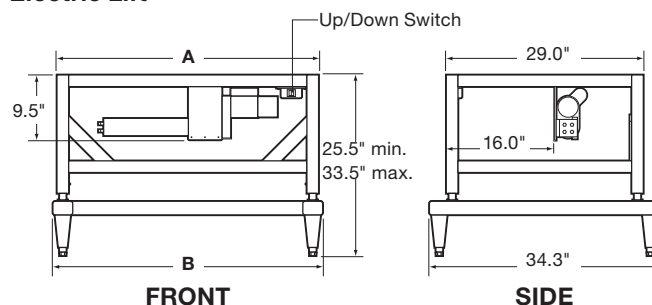


**3784000—Caster Kit.** Includes four 5" (13 cm) dia., non-marking polyurethane casters with toe locks and bearings. Load rating for each caster is 250 lbs. Casters replace the fixed feet and add 11" (28 cm) to the overall depth of base stand. **Installation is required.\*\*** Not for use with stands that support Type B2 BSC. Shipping weight 10 lbs. (5 kg)

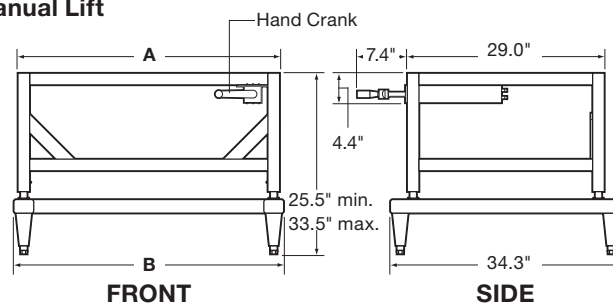
Nominal Width	Catalog Number	Description	Shipping Weight
3'	<b>3780100</b>	Electric. 115V, 60 Hz, 2.4A	170 lbs. (77 kg)
3'	<b>3780103*</b>	Electric. 230V, 50/60 Hz, 0.8A	170 lbs. (77 kg)
3'	<b>3780200</b>	Manual	170 lbs. (77 kg)
4'	<b>3780101</b>	Electric. 115V, 60 Hz, 2.4A	185 lbs. (84 kg)
4'	<b>3780104*</b>	Electric. 230V, 50/60 Hz, 0.8A	185 lbs. (84 kg)
4'	<b>3780201</b>	Manual	185 lbs. (84 kg)
5'	<b>3780106</b>	Electric. 115V, 60 Hz, 2.4A	215 lbs. (98 kg)
5'	<b>3780107*</b>	Electric. 230V, 50/60 Hz, 0.8A	215 lbs. (98 kg)
5'	<b>3780203</b>	Manual	215 lbs. (98 kg)
6'	<b>3780102</b>	Electric. 115V, 60 Hz, 2.4A	225 lbs. (102 kg)
6'	<b>3780105*</b>	Electric. 230V, 50/60 Hz, 0.8A	225 lbs. (102 kg)
6'	<b>3780202</b>	Manual	225 lbs. (102 kg)

Catalog Numbers	Nominal Width	A	B
<b>3780100, 3780103, 3780200</b>	3'	38.5"	39.7"
<b>3780101, 3780104, 3780201</b>	4'	50.5"	51.7"
<b>3780106, 3780107, 3780203</b>	5'	62.5"	63.9"
<b>3780102, 3780105, 3780202</b>	6'	74.5"	75.7"

## Electric Lift



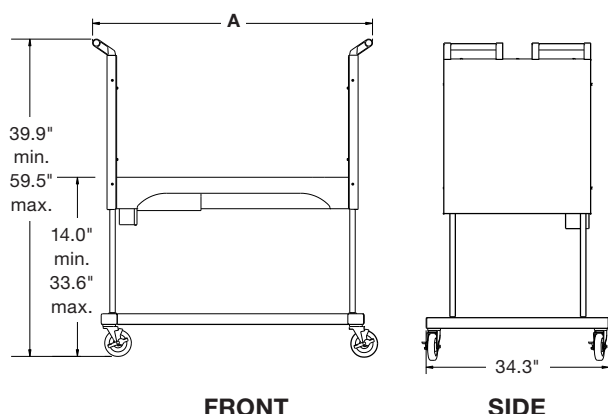
## Manual Lift



\* International electrical configuration

\*\* Enclosures supported by mobile Base Stands will require special modifications to incorporate flexible ducting, wiring and plumbing when applied.

# SoLo™ Hydraulic Lift Base Stands



- Support any Purifier Logic+ or Cell Logic+ Type A2
- Support loads up to 1,000 lbs. (590 kg)
- Durable powder-coated steel construction
- Built-in hydraulic lift is remote control operated with buttons for upward and downward movement. Height adjustment positions the enclosure for persons of different statures, wheelchair-bound users, transport through doorways, and easier service access to upper components
- Infinitely adjustable height provides work surface heights from 17.2" (43.7 cm) to 36.8" (93.5 cm) and overall enclosure height as low as 76.2" (193.5 cm)
- Shipped fully assembled
- Hydraulic lift system permits stand to be lowered so cabinet may be rolled through standard doorways as low as 78" (198 cm) high. Casters provide mobility and lock in place for stability
- 5" (13 cm) dia., toe-locking, non-marking polyurethane casters with bearings for quiet operation
- Two handle bars facilitate transport. Bars are durable PVC-coated steel tubes with polyamide brackets
- NSF-approved
- ADA-compliant

Nominal Width	Exterior Width (A)	Catalog Number	Electrical Requirements	Plug Type	Shipping Weight
3'	53.5"	<b>3780310</b>	115V, 60 Hz, 2A	115V, 15A	395 lbs. (179 kg)
3'	53.5"	<b>3780314</b>	230V, 50/60 Hz, 3A	230V for North America	395 lbs. (179 kg)
3'	53.5"	<b>3780330</b>	230V, 50/60 Hz, 3A	230V for British (UK)	395 lbs. (179 kg)
3'	53.5"	<b>3780334</b>	230V, 50/60 Hz, 3A	230V Schuko	395 lbs. (179 kg)
3'	53.5"	<b>3780338</b>	230V, 50/60 Hz, 3A	230V for China/Australia	395 lbs. (179 kg)
4'	65.5"	<b>3780311</b>	115V, 60 Hz, 2A	115V, 15A	435 lbs. (197 kg)
4'	65.5"	<b>3780315</b>	230V, 50/60 Hz, 3A	230V for North America	435 lbs. (197 kg)
4'	65.5"	<b>3780331</b>	230V, 50/60 Hz, 3A	230V for British (UK)	435 lbs. (197 kg)
4'	65.5"	<b>3780335</b>	230V, 50/60 Hz, 3A	230V Schuko	435 lbs. (197 kg)
4'	65.5"	<b>3780339</b>	230V, 50/60 Hz, 3A	230V for China/Australia	435 lbs. (197 kg)
5'	77.5"	<b>3780312</b>	115V, 60 Hz, 2A	115V, 15A	460 lbs. (209 kg)
5'	77.5"	<b>3780316</b>	230V, 50/60 Hz, 3A	230V for North America	460 lbs. (209 kg)
5'	77.5"	<b>3780332</b>	230V, 50/60 Hz, 3A	230V for British (UK)	460 lbs. (209 kg)
5'	77.5"	<b>3780336</b>	230V, 50/60 Hz, 3A	230V Schuko	460 lbs. (209 kg)
5'	77.5"	<b>3780340</b>	230V, 50/60 Hz, 3A	230V for China/Australia	460 lbs. (209 kg)
6'	89.5"	<b>3780313</b>	115V, 60 Hz, 2A	115V, 15A	600 lbs. (272 kg)
6'	89.5"	<b>3780317</b>	230V, 50/60 Hz, 3A	230V for North America	600 lbs. (272 kg)
6'	89.5"	<b>3780333</b>	230V, 50/60 Hz, 3A	230V for British (UK)	600 lbs. (272 kg)
6'	89.5"	<b>3780337</b>	230V, 50/60 Hz, 3A	230V Schuko	600 lbs. (272 kg)
6'	89.5"	<b>3780341</b>	230V, 50/60 Hz, 3A	230V for China/Australia	600 lbs. (272 kg)



Labconco Associates

## Our promise.

You can expect straight talk from us. A fair and honest approach to doing business. And people you can trust to do the right thing.

When you buy equipment from us, it should work the way you need it to, and if it doesn't, we will take care of it.

Taking care of people is how we take care of business.



**Visit [labconco.com](http://labconco.com) to request information  
for all Labconco products.**

**LABCONCO CORPORATION**

8811 Prospect Avenue  
Kansas City, MO 64132

(800) 821-5525 | (816) 333-8811

[labconco.com](http://labconco.com)

©2019 LABCONCO CORPORATION

Printed in the U.S.A.

Product design subject to change without notice.

2-04-4/17/19

