

| | | | |
|-------------|----------------|--------------------------------------|--------|
| DWG BY: CRB | DATE: 10/29/08 | TOLERANCE UNLESS OTHERWISE SPECIFIED | |
| | | .X = ± .063 ANGULAR | + 1.0° |
| | | .XX = ± .032 HOLE DIA | |
| | | .XXX = ± .015 | ± .005 |

SHEL-LAB
SHELDON MANUFACTURING CORNELIUS, OREGON

OVEN 3CF GRAVITY

SCALE: 1:10

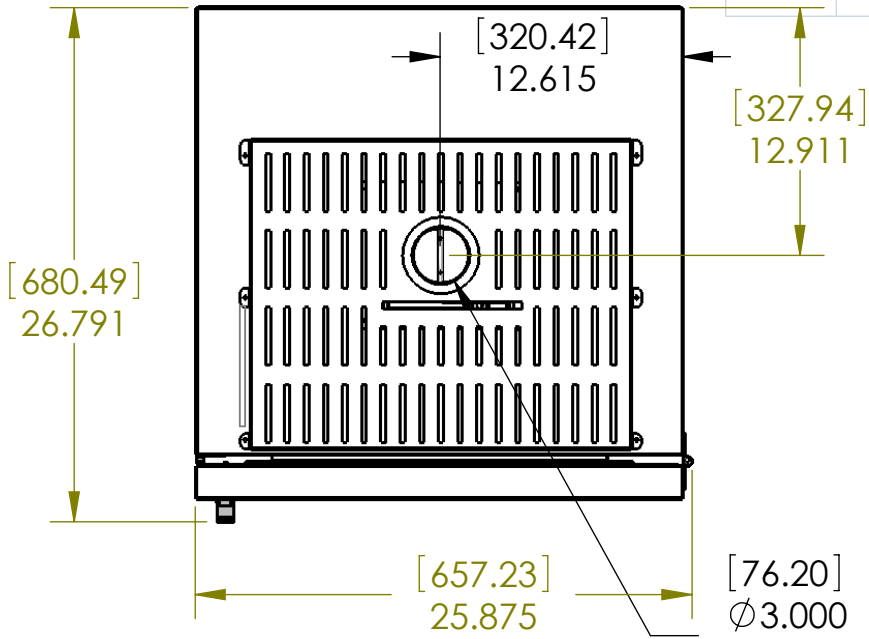
REVISION: 9071294

PART#: 9071294

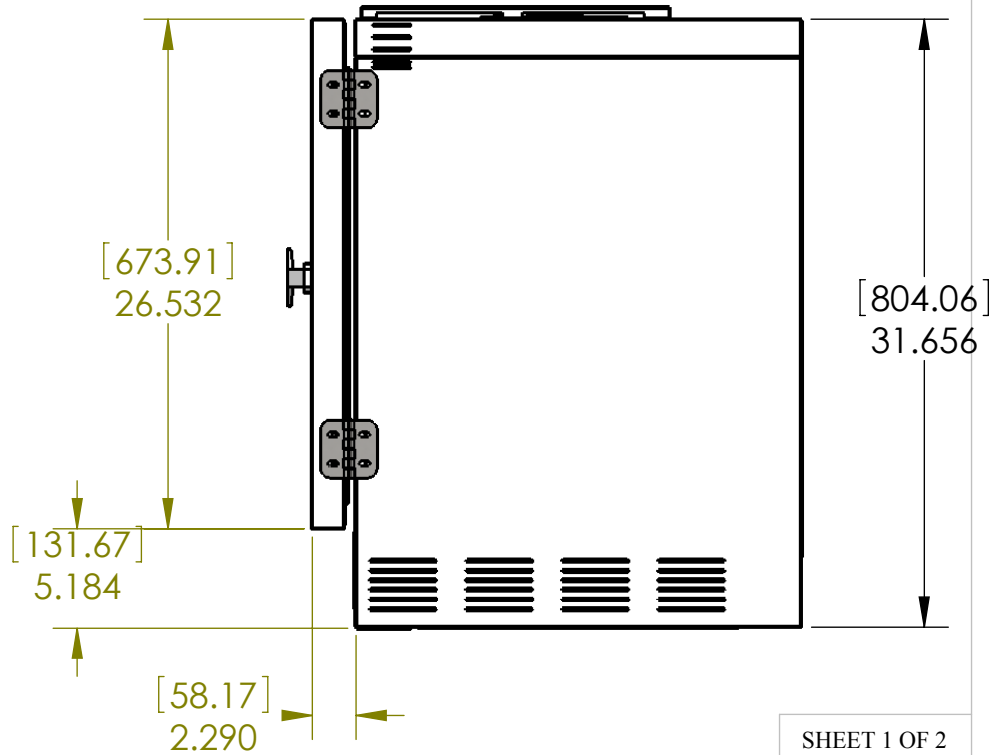
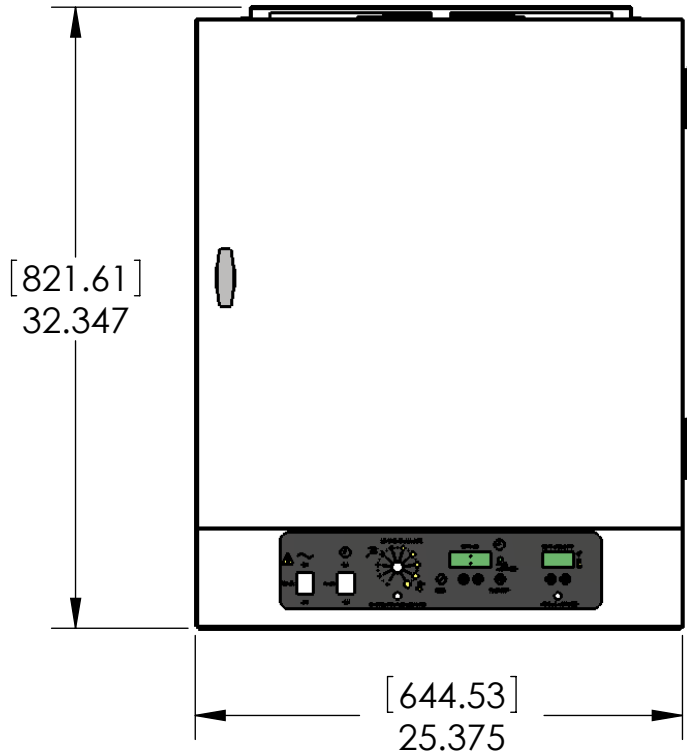
MATERIAL:

NOTE: BEND RADIUS .032" UNLESS OTHERWISE NOTED

| CHG BY | CHG NR | REV | DATE | DESCRIPTION |
|--------|--------|-----|------|-------------|
|--------|--------|-----|------|-------------|



[76.20]
Ø3.000
EXHAUST
DAMPER



DWG CRB DATE

BY: X
TOLERANCE UNLESS OTHERWISE SPECIFIED
= ± .063 ANGULAR
.XX = ± .032 HOLE DIA
.XXX = ± .015 ± .005

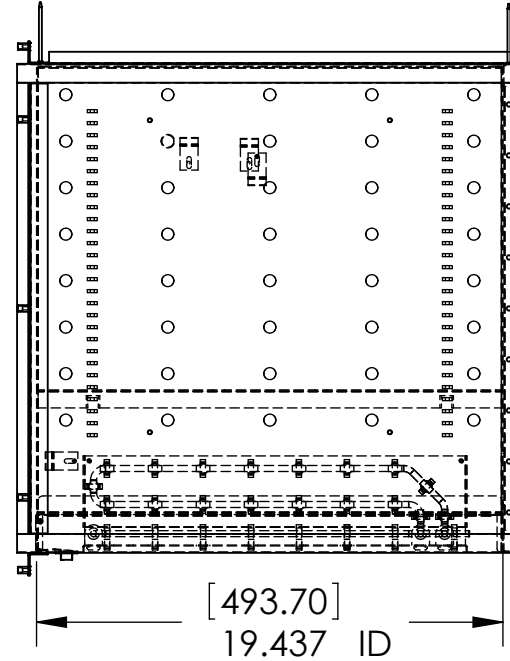
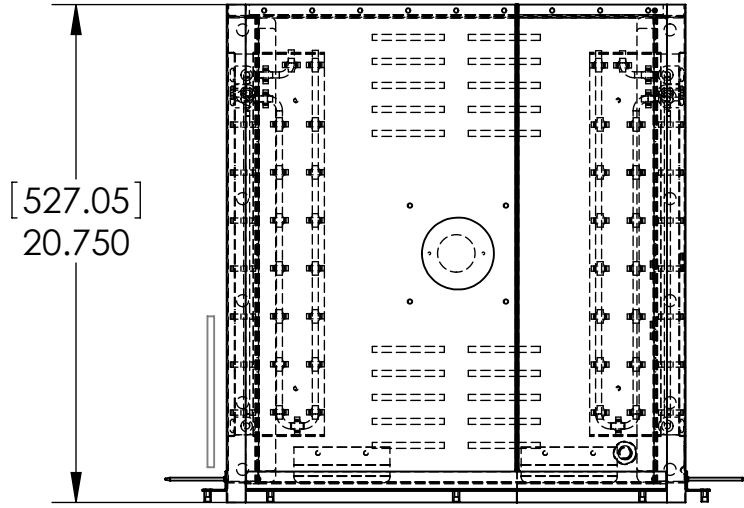
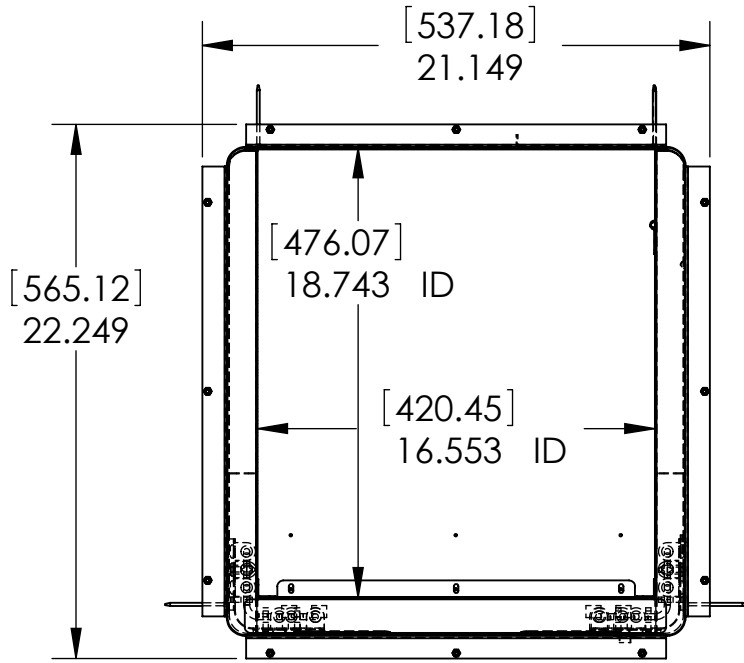
SHEL-LAB

SHELDON MANUFACTURING CORNELIUS, OREGON

LINER INTERIOR DIMENSIONS

SCALE: 1:8
PART# 9071294
MATERIAL

NOTE
BEND RADIUS .032"
UNLESS OTHERWISE NOTED



| CHG. BY | CHG. # | REV. | DATE | DESCRIPTION |
|---------|--------|------|------|-------------|
| | | | | |