

SOLAIRPortable

AIRBORNE PARTICLE COUNTERS



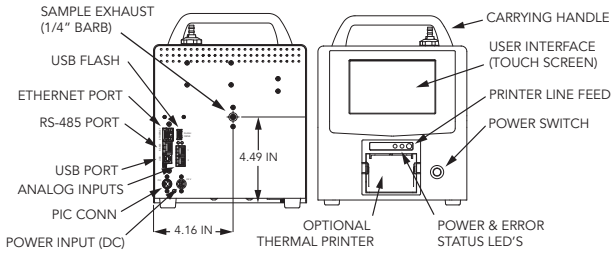
THE SOLAIR series portable particle counters incorporate our extreme life laser diode technology sensor to produce the industry’s longest laser diode life of 20+ year MTTF (based on continuous 24/7 operation). Using a new, lighter extended-life battery and external AC adapter, the SOLAIRs are even more portable. The SOLAIR features one of the industry’s best user interfaces (UI) to configure and operate the instrument with intuitive ICON-driven screens and menus that are simple and easy to learn and use.



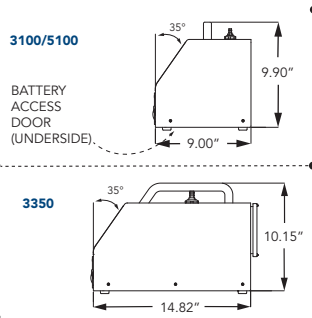
F E A T U R E S

- 0.3 - 100 µm sensitivity
- 1.0 CFM & 100 LPM
- Up to 8 channels of simultaneous count data
- 21 CFR Part 11 compliant secure USB flash transfer
- Extreme life laser diode technology >20-year MTTF
- 5.7 inch color touch screen display
- Thermal printer
- Stainless steel construction
- Ethernet/RS485/Modbus, 4x 4-20mA analog inputs
- 3,000 record data storage
- 50-record configurable recipe database
- Report wizard: FS-209E, ISO-14644-1 & EU GMP Annex 1
- 2 year warranty

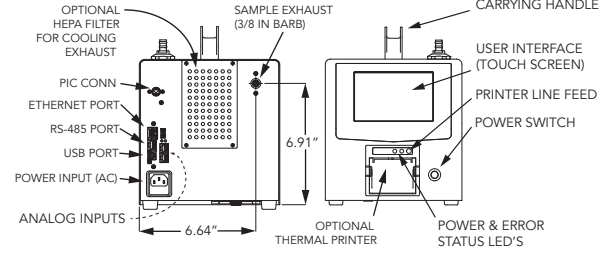
MODEL: 3100/5100, BOULDER COUNTER



3100/5100



MODEL: 3350



T E C H N I C A L D A T A S H E E T

SOLAIR Portable Airborne Particle Counters

Model	3100	5100
Size range	0.3 - 25.0 µm	0.5 - 25.0 µm
Standard 6 channels	0.3, 0.5, 1.0, 3.0, 5.0, 10.0 µm 0.3, 0.5, 1.0, 5.0, 10.0, 25.0 µm	0.5, 0.7, 1.0, 3.0, 5.0, 10.0 µm 0.5, 1.0, 3.0, 5.0, 10.0, 25.0 µm
Standard 8 channel	0.3,0.5,0.7,1.0,3.0,5.0,7.0,10.0 µm	0.5,0.7,1.0,2.0,3.0,5.0,7.0,10.0 µm
Optional 8 channel	Optional between 0.3 and 25.0	Optional between 0.5 and 25.0
Flow rate	1 CFM (28.3 LPM)	1 CFM (28.3 LPM)
Counting efficiency	50%@0.3µm; 100% for particles > 0.45 µm (per ISO 21501-4)	50%@0.5µm; 100% for particles > 0.75 µm (per ISO 21501-4)
Concentration limits	1,000,000 particles/ft ³ , (35,300,000/m ³) @ 10% coincidence loss suitable for ISO classes 1-8 cleanrooms.	
Dimensions	9.5"(l) x 8.0"(w) x 10.2"(h) (24.13 x 20.32 x 25.9 cm)	
Weight	With battery: 13.95 lbs (6.33 kg), without battery 12.35 lbs (5.6 kg)	
Model	BOULDER COUNTER	3350
Size range	5.0 - 100.0 µm	0.3 - 25.0 µm
Standard 6 channels	5.0, 10.0, 25.0, 40.0, 50.0, 100.0 µm	0.3, 0.5, 1.0, 3.0, 5.0, 10.0 µm
Optional 6 channels	5.0, 10.0, 20.0, 30.0, 50.0, 100.0 µm	0.3, 0.5, 1.0, 5.0, 10.0, 25.0 µm
Flow rate	1 CFM (28.3 LPM)	100 LPM
Counting efficiency	50% @ 5.0µm; 100% for particles > 7.5 µm (per ISO 21501-4)	50%@0.3µm; 100% for particles > 0.45 µm (per ISO 21501-4)
Concentration limits	1,000,000 particles/ft ³ @ 10% coincidence loss	400,000 particles/ft ³ , (14,120,000/m ³) @ 10% coincidence loss suitable for ISO classes 1-8 cleanrooms.
Dimensions	9.5"(l) x 8.0"(w) x 10.2"(h) (24.13 x 20.32 x 25.9 cm)	14.65"(l) x 8.0"(w) x 10.4"(h) (37.0 x 20.0 x 26.0 cm)
Weight	With battery: 13.95 lbs (6.33 kg), without battery 12.35 lbs (5.6 kg)	With battery: 25.83 lbs (11.73 kg), without battery 22.75 lbs (10.32 kg)

Features	Laser Source	Extreme Life Laser Diode with > 20 years MTTF	Printer	Available with and without internal printer
	Zero Count Level	< 1 count / 5 minutes (per ISO 21501-4)	Reports	FS-209, ISO 14644-1:2015, ISO 14644-1:1999, EU GMP Annex 1
	Calibration	Meets ISO 21501-4 calibration using NIST traceable PSL spheres	Alarm	On counts & low battery, Includes ext. alarm connection
	Count Modes	Automatic, manual, beep, concentration, cumulative/differential	Enclosure	Stainless steel
	Data Storage	3,000 sample records, rotating buffer	Sample Output	Internally filtered to HEPA standards (>99.97 @ 0.3 µm)
	Communication Modes	USB, Ethernet, RS-485, USB flash drive	Vacuum Source	Internal closed-loop controlled pump
	Supporting Software	LMS Express, LMS Express RT, LMS Pharma	Power	100-250 VAC, 47-63 HZ
	Touch Screen	5.7 inch (14.47 cm) color TFT touch screen display	Languages	English (US), French, German, Spanish, Italian, Russian, Japanese, Korean and Chinese
	Location Labels	Up to 200 location labels		

- Included** Operating manual with CD, LMS Express transfer software download instructions, isokinetic sample probe, tripod, tubing, purge filter, power cables, spare fuse, printer, printer paper
- Optional** Printed operating manual, wireless network adapter, removable rechargeable Li-Ion battery, carrying case with wheels, temperature/relative humidity probe, intelligent filter scanner probe, air velocity probe, ext. battery charger, software (LMS ExpressRT, LMS Pharma, validation documentation, cleanroom cart
- Operating** 50°F to 104°F (10°C to 40°C) / 20% to 95% non-condensing
- Storage** 14°F to 122°F (-10°C to 50°C) / Up to 98% non-condensing

Distributed By:



Lighthouse Worldwide Solutions reserves the right to change specifications without notice.

www.golighthouse.com 1-800 945 5905 (Tollfree)
info@golighthouse.com 1-541 770 5905 (Outside of USA)

